



Manufactured by:  
Backyard Discovery  
3305 Airport Drive, Pittsburg, KS 66762  
800-856-4445

Basepoint Business Centre: Rivermead Drive, Westlea, Swindon SN5 7EX Phone: 0800-118-2476  
J.P. Coenstraat 7, The Bridge, The Hague, 2595 WP, Netherlands Phone: 08005678990

# 16x12 NORWOOD GAZEBO

## MODEL # : 2206038



Please visit [www.backyarddiscovery.com](http://www.backyarddiscovery.com)  
For the most up to date assembly manual, to register your product, or to order  
replacement parts *Para obtener instrucciones en español, visite*  
[www.backyarddiscovery.com](http://www.backyarddiscovery.com)



EASY STEP-BY-STEP  
3D INTERACTIVE INSTRUCTIONS  
DOWNLOAD THE FREE APP



INSTALLATION  
SERVICES  
AVAILABLE!  
See inside for details

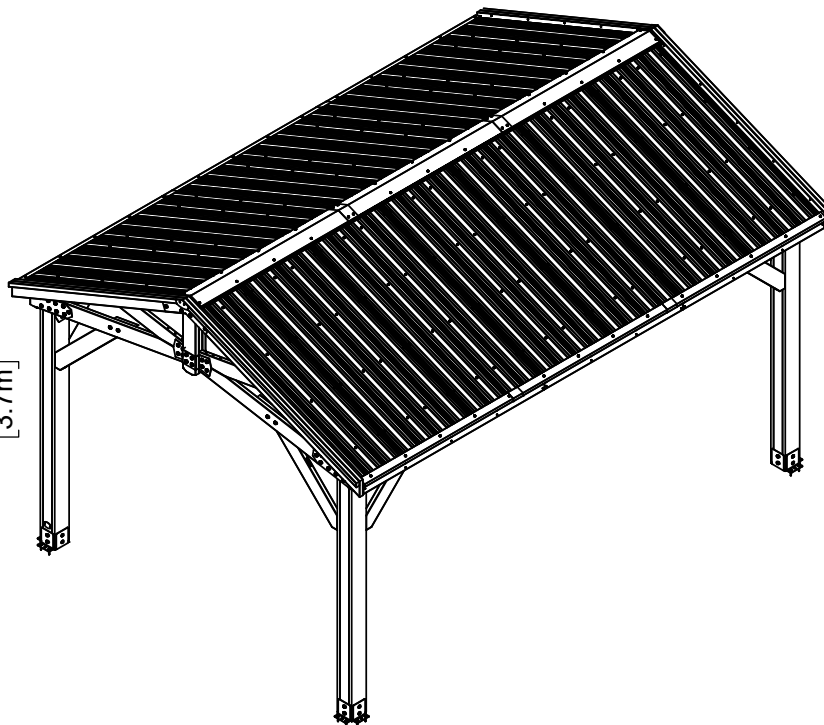
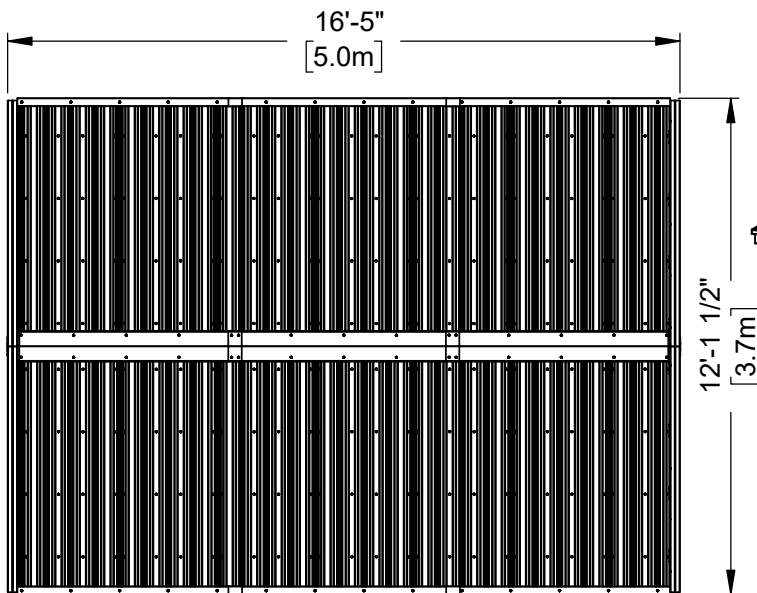
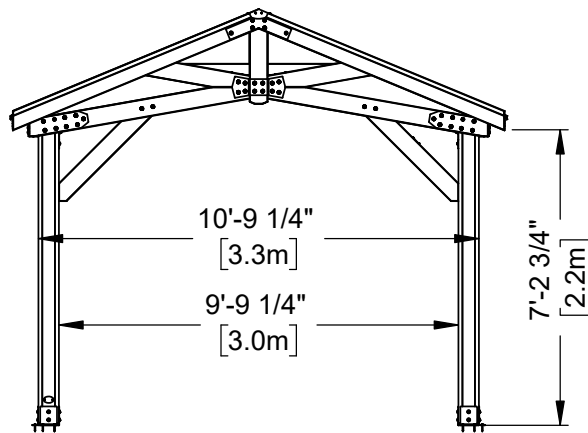
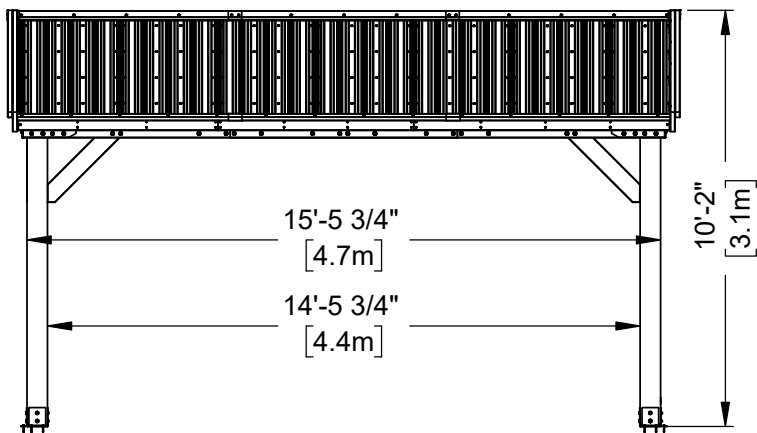
# OWNER'S MANUAL - BASIC SETUP DIMENSIONS & ASSEMBLY NOTES

It is critically important that you start with square and level footings, concrete pad or deck to attach your structure

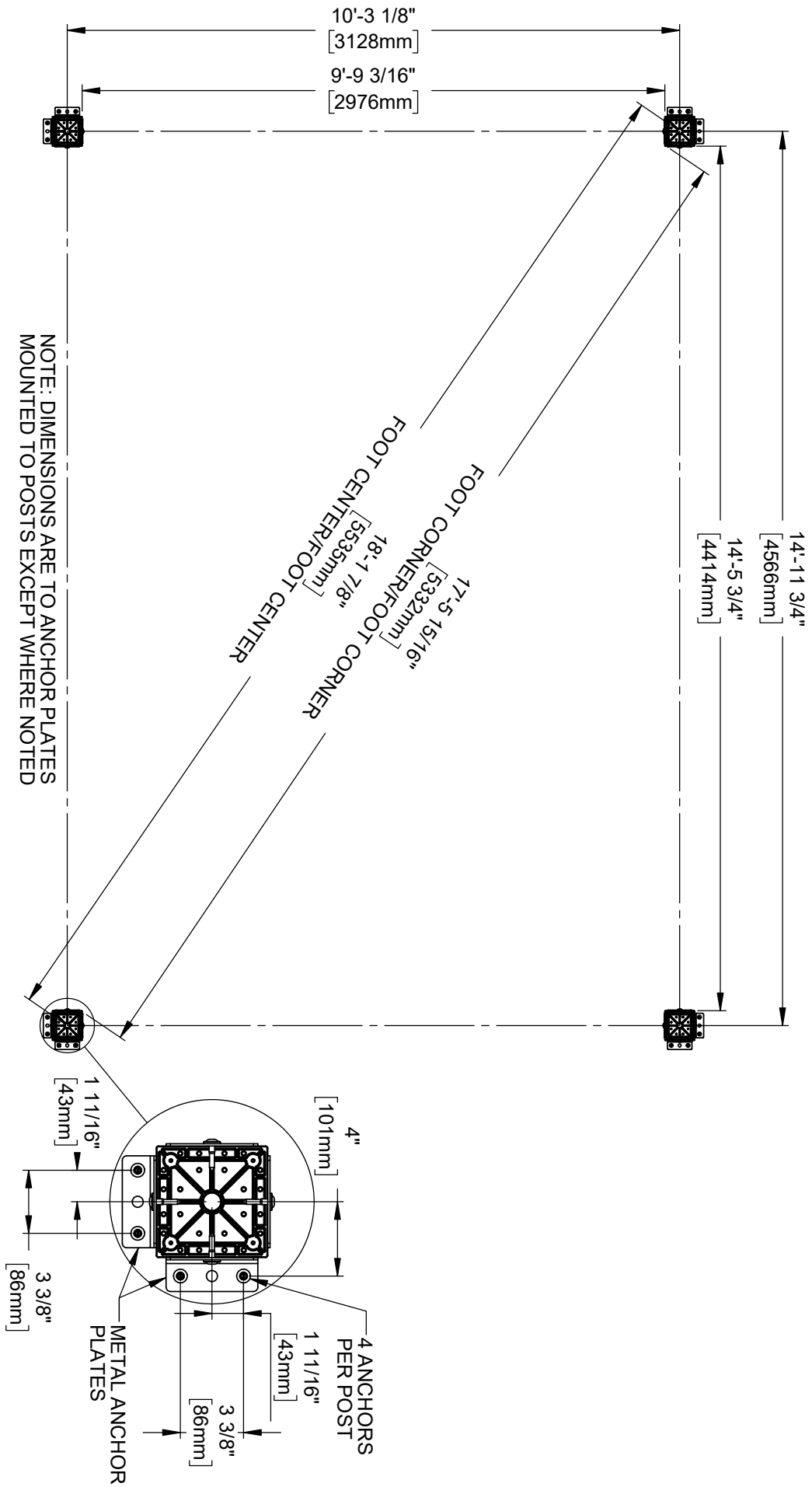
- Pay close attention to the items needed for each step. Make sure you are using the correct hardware for each step. Using incorrect hardware may result in improper assembly
- Remember to double check for underground utilities and overhead electrical lines

Post mounts are provided with your structure which allows you to permanently install your structure to a pre-existing or new wood or concrete surface. See Anchor Instructions for further details and recommendations.

- The hardware to attach the post mounts to the structure is included.
- The hardware to mount the structure permanently to a concrete surface is included.
- The hardware to mount the structure permanently to a wood deck is NOT included and will need to be purchased separately. You must ensure there is ample structural support under the deck before permanently attaching.



# OWNER'S MANUAL - ANCHORING LAYOUT

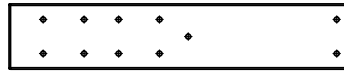


# OWNER'S MANUAL - PARTS IDENTIFICATION

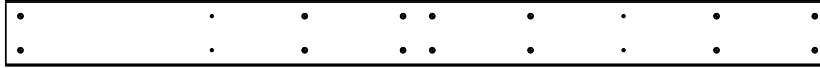
## Wood Components (Not to Scale)



**D01 | GABLE BOARD - W4L16850**  
(x4) | 1 3/8"x5 1/4"x24 1/4" (36x134x615)



**D02 | TOP RAIL - W4L16851**  
(x4) | 1 3/8"x5 1/4"x27 5/8" (36x134x703)



**D03 | TOP RAIL - W4L16852**  
(x4) | 1 3/8"x5 1/4"x66 5/8" (36x134x1692)



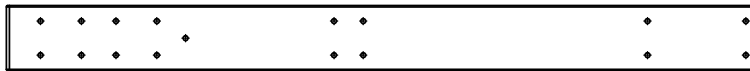
**D04 | CORBEL - W4L16853**  
(x4) | 1 3/8"x5 1/4"x35 7/8" (36x134x910)



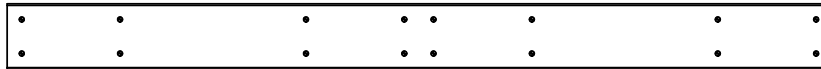
**D05 | GABLE BOARD - W4L16854**  
(x2) | 1 3/8"x1 1/2"x5 1/4" (36x38x134)



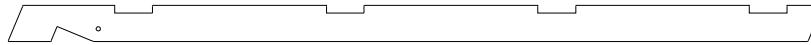
**D06 | CORBEL - W4L16855**  
(x3) | 1 3/8"x5 1/4"x45 5/8" (36x134x1160)



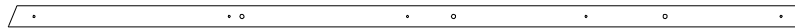
**D07 | TOP RAIL - W4L16856**  
(x4) | 1 3/8"x5 1/4"x61" (36x134x1549)



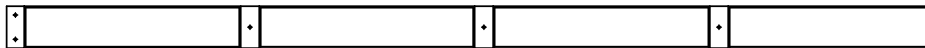
**D08 | TOP RAIL - W4L16857**  
(x2) | 1 3/8"x5 1/4"x66 5/8" (36x134x1692)



**E01 | RAFTER - W4L16858**  
(x8) | 1 3/8"x3 3/8"x76 3/8" (36x86x1941)



**E02 | TRUSS - W4L16859**  
(x4) | 1 7/16"x1 15/16"x74 15/16" (36x50x1902)



**E03 | SHEATHING BOARD - W4L16860**  
(x8) | 1 3/8"x5 1/4"x75 1/8" (36x134x1907)



**E04 | SHEATHING BOARD - W4L16861**  
(x8) | 1 3/8"x3 3/8"x57 3/8" (36x86x1458)



**E05 | RAFTER - W4L16862**  
(x8) | 1 3/8"x3 3/8"x76 3/8" (36x86x1941)



**E06 | ACCESSORY TRUSS - W4L16863**  
(x8) | 1 3/8"x3 3/8"x73 13/16" (36x86x1875)



**E07 | SHEATHING BOARD - W4L16864**  
(x8) | 1 3/8"x3 3/8"x58 5/8" (36x86x1490)



**E08 | RAFTER - W4L16865**  
(x6) | 1 3/8"x3 3/8"x76 3/8" (36x86x1941)



**G01 | COVER BOARD - W4L16917**  
(x2) | 1"x5 1/4"x89 1/2" (24x134x2274)

# OWNER'S MANUAL - PARTS IDENTIFICATION

## Wood Components (Not to Scale)



**AD01** | RAFTER - W4L16866  
(x2) | 1"x4"x74 3/4" (24x102x1900)



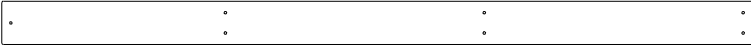
**AD02** | RAFTER - W4L16867  
(x2) | 1"x4"x66 3/8" (24x102x1686)



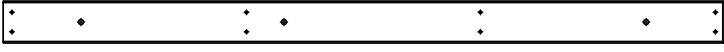
**AD03** | RAFTER - W4L16868  
(x2) | 1"x4"x41 5/8" (24x102x1057)



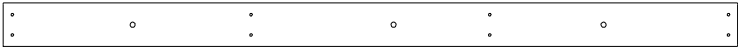
**H01** | FASCIA - W4L16869  
(x2) | 1"x3 3/8"x57 3/8" (24x86x1458)



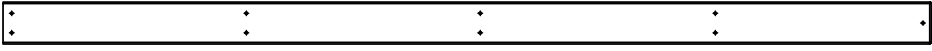
**H02** | FASCIA - W4L16870  
(x2) | 1"x3 3/8"x58 5/8" (24x86x1490)



**H03** | FASCIA - W4L16871  
(x2) | 1"x3 3/8"x58 3/8" (24x86x1482)



**H04** | FASCIA - W4L16872  
(x1) | 1"x3 3/8"x57 3/8" (24x86x1458)



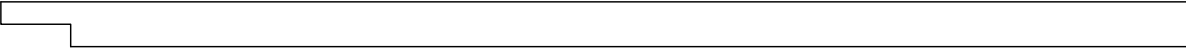
**H05** | FASCIA - W4L16873  
(x2) | 1"x3 3/8"x75 1/8" (24x86x1907)



**H06** | FASCIA - W4L16874  
(x2) | 1"x3 3/8"x41 7/8" (24x86x1064)



**H07** | FASCIA - W4L16875  
(x1) | 1"x3 3/8"x57 3/8" (24x86x1458)



**H08** | NOTCHED SUPPORT BOARD - W4L16915  
(x2) | 1"x3 3/8"x89 1/2" (24x86x2274)



**J09** | RIDGE CAP STIFFENER - W4L16876  
(x4) | 1"x2 3/8"x53 7/8" (24x60x1367)



**J10** | RIDGE CAP STIFFENER - W4L16877  
(x2) | 1"x2 3/8"x83 1/2" (24x60x2121)

# OWNER'S MANUAL - PARTS IDENTIFICATION

## Wood Components (Not to Scale)



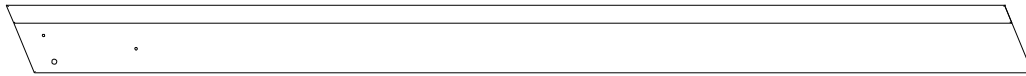
**P01** | POST - W2A03501  
(x2) | 6"x6"x89 1/2" (152x152x2274)



**P02** | POST - W2A03502  
(x2) | 6"x6"x89 1/2" (152x152x2274)



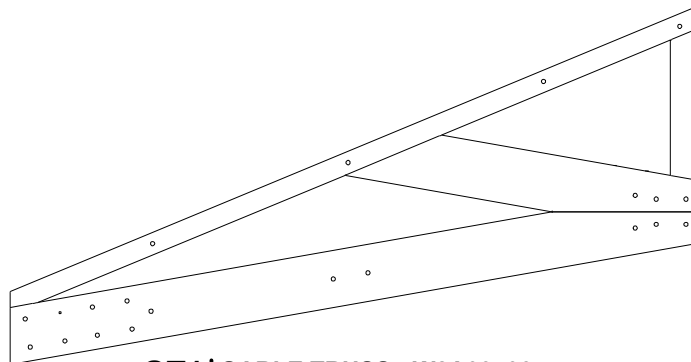
**GP1** | GABLE PANEL - W2A03499  
(x2) | 2 13/16"x5 1/4"x80 3/16" (72x134x2037)



**GP2** | GABLE PANEL - W2A03500  
(x2) | 2 13/16"x5 1/4"x80 3/16" (72x134x2037)



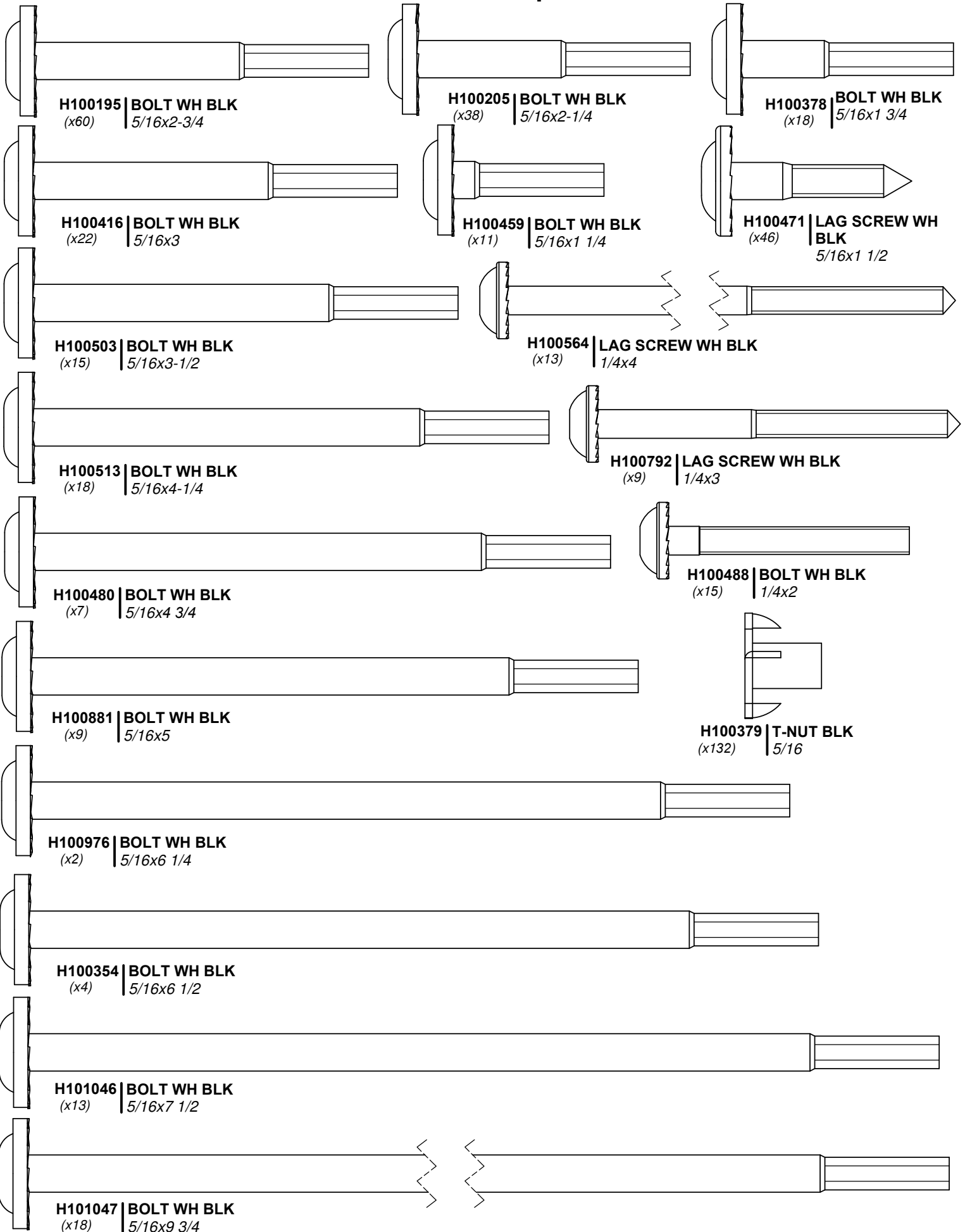
**CA01** | CORBEL - W2A03504  
(x1) | 1 7/16"x5 3/8"x46 1/16" (36x136x1160)



**GT1** | GABLE TRUSS - W2A03503  
(x4) | 1 7/16"x33 5/8"x64 9/16" (36x854x1640)

# OWNER'S MANUAL - PARTS IDENTIFICATION

## Hardware Components

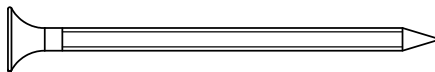


# OWNER'S MANUAL - PARTS IDENTIFICATION

## Hardware Components



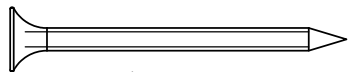
**H100201 | SCREW PFH BLK**  
(64) | 8x2-1/2



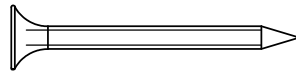
**H100483 | SCREW PFH BLK**  
(x4) | 8x2 1/4



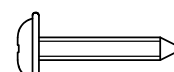
**H100391 | SCREW PFH BLK**  
(x216) | 8x2



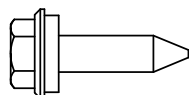
**H100200 | SCREW PFH BLK**  
(x24) | 8x1 1/2



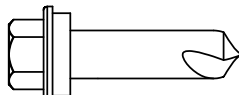
**H100382 | SCREW PFH BLK**  
(x9) | 8x1 3/4



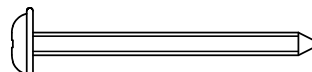
**H100392 | SCREW PWH BLK**  
(x28) | 8x3/4



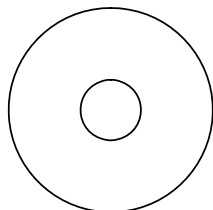
**H100833 | SCREW WOODGRIP**  
(x250) | 10x3/4



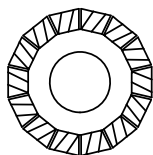
**H100759 | SCREW TAPPING**  
(x30) | 1/4x3/4



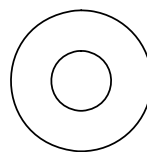
**H100823 | SCREW PWH BLK**  
(x30) | 8x1-1/2



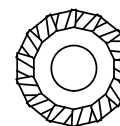
**H100478 | WASHER FLAT BLK**  
(96) | 8x27



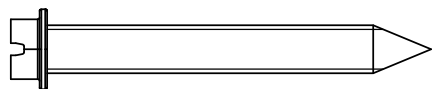
**H100198 | WASHER LOCK EXT BLK**  
(x124) | 8x19



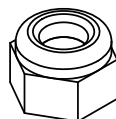
**H100630 | WASHER FLAT BLK**  
(x33) | 8x19



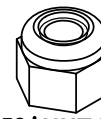
**H100405 | WASHER LOCK EXT BLK**  
(x22) | 6x15



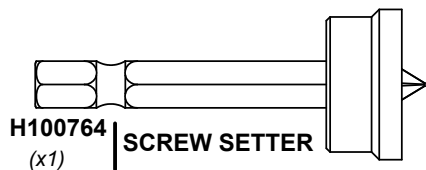
**H100120 | SCREW CONCRETE ANCHOR**  
(x18) | 1/4x2



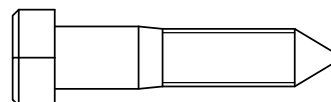
**H100479 | NUT LOCK BLK**  
(x90) | 5/16



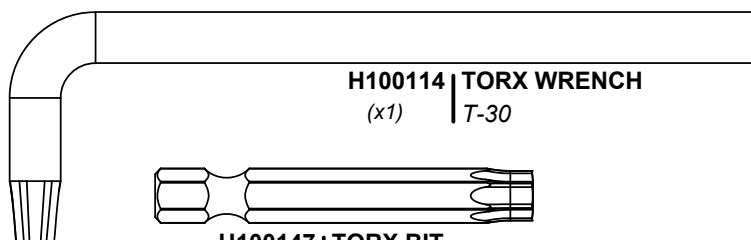
**H100653 | NUT LOCK BLK**  
(x15) | 1/4



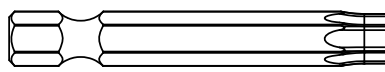
**H100764 | SCREW SETTER**  
(x1)



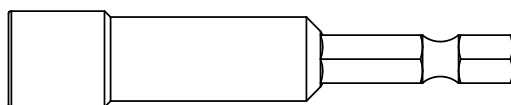
**H100659 | LAG SCREW BLK**  
(x4) | 5/16x1 1/2



**H100114 | TORX WRENCH**  
(x1) | T-30



**H100147 | TORX BIT**  
(x1) | T-30



**H101106 | HEX DRIVER**  
(x1) | 5/16

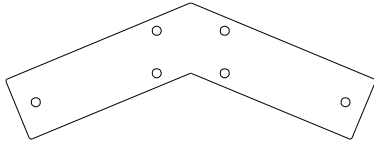


**H101100 | MAGNETIC DRIVER**  
(x1)

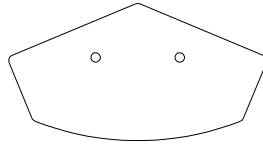


# OWNER'S MANUAL - PARTS IDENTIFICATION

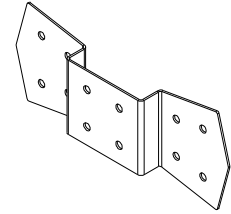
## Accessory Components (Not to Scale)



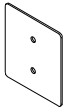
**A4M01130** | GABLE BRACKET  
(x2)



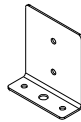
**A4M01147** | PEAK SEAM BRACKET  
(x2)



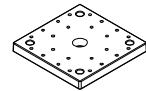
**A4M01129** | GABLE BRACKET  
(x4)



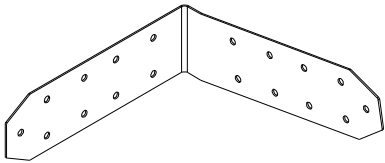
**A4M00978** | POST PLATE  
(x8)



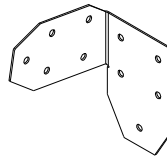
**A4M00977** | POST ANCHORING PLATE  
(x8)



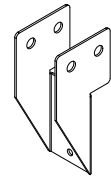
**A6P00308** | 6x6 POST FOOT  
(x4)



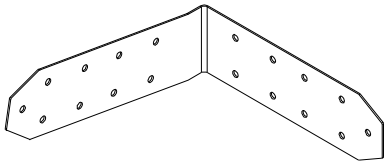
**A4M01301** | RIGHT OUTSIDE BRACKET  
(x2)



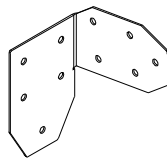
**A4M01232** | LEFT ANGLE BRACKET  
(x2)



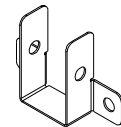
**A4M01752** | RAFTER CLIP  
(x14)



**A4M01302** | LEFT OUTSIDE BRACKET  
(x2)



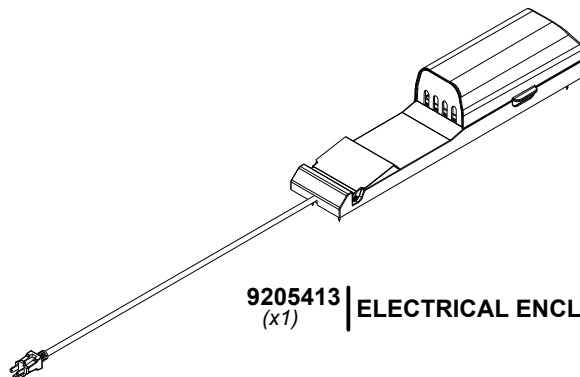
**A4M01233** | RIGHT ANGLE BRACKET  
(x2)



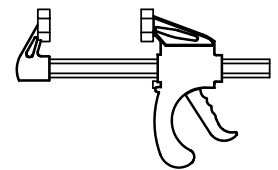
**A4M01148** | TRUSS BRACKET  
(x2)



**A100241** | BYD ID TAG  
(SMALL)  
WITHOUT AGES  
(x1)



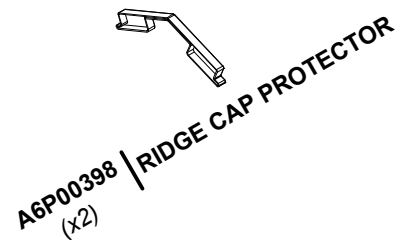
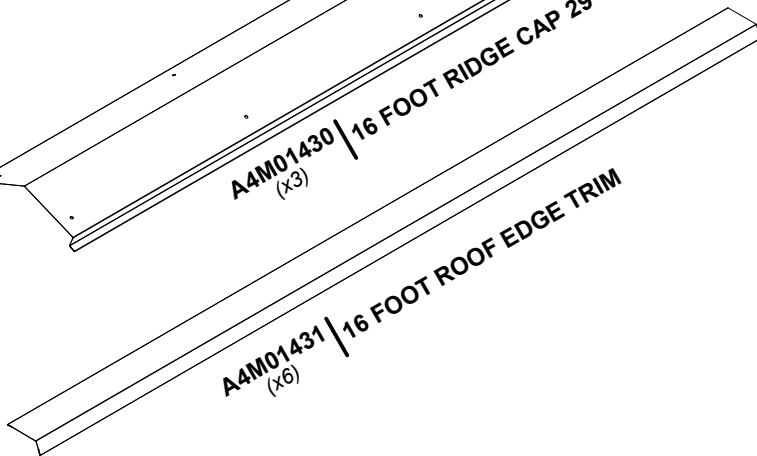
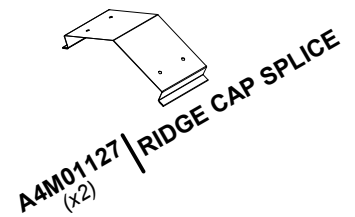
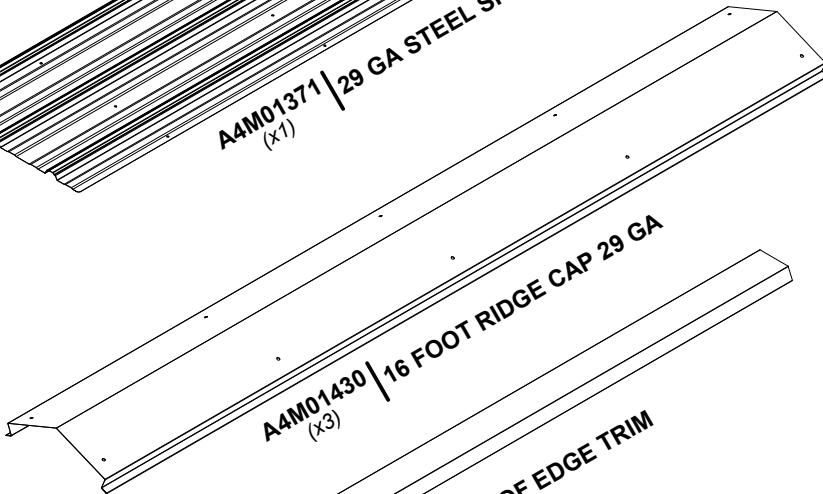
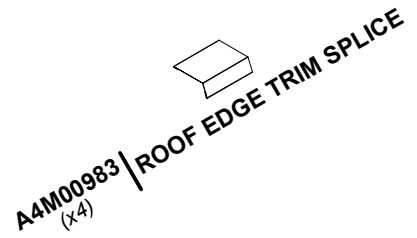
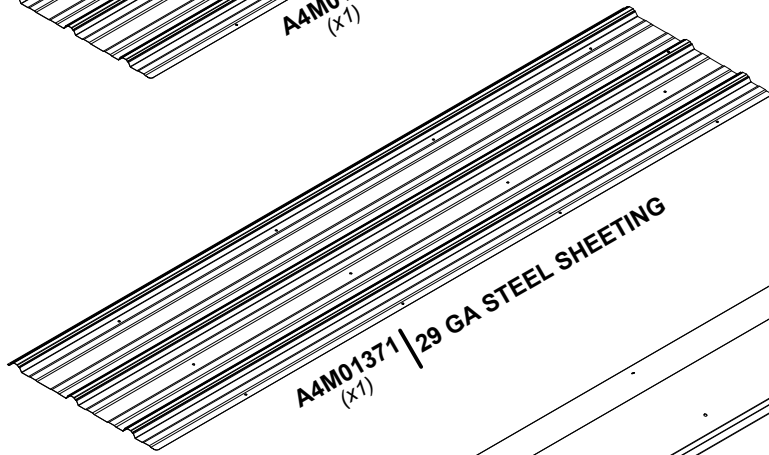
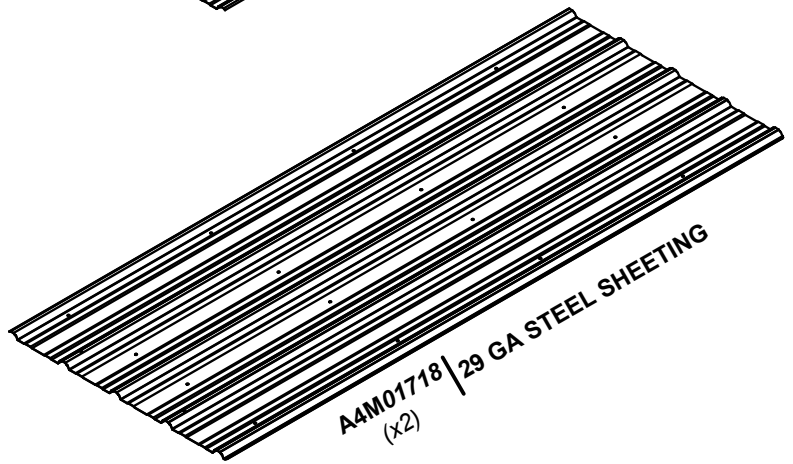
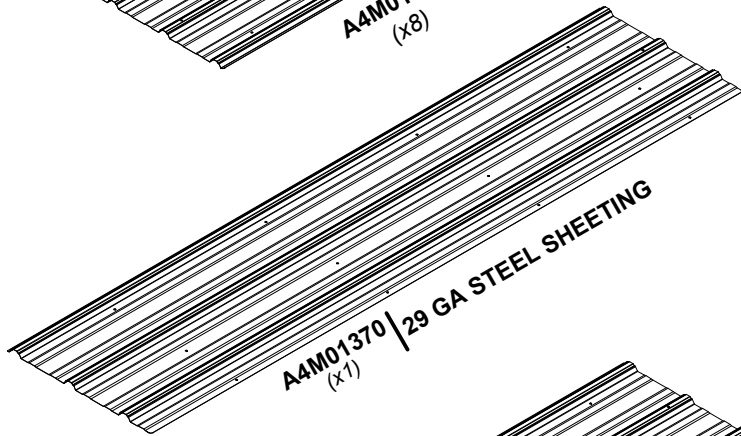
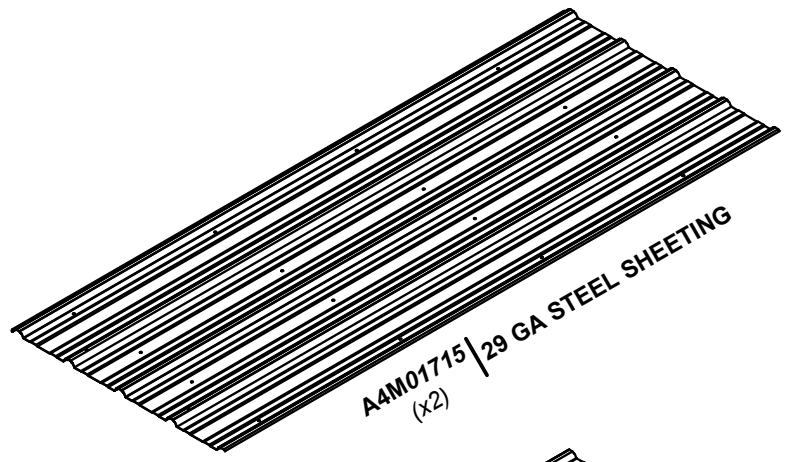
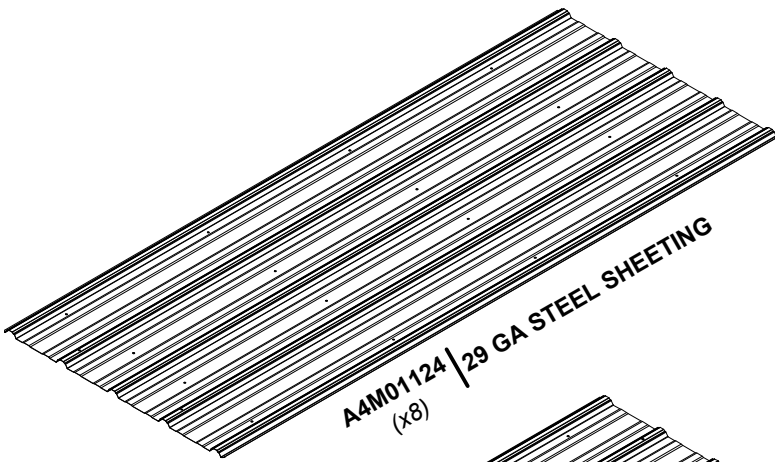
**9205413** | ELECTRICAL ENCLOSURE  
(x1)



**A6P00460** | 6" QUICK RELEASE  
BAR CLAMP  
(x2)

# OWNER'S MANUAL - PARTS IDENTIFICATION

## Accessory Components (Not to Scale)



# PRE-ASSEMBLY STEP 1 - SORTING PARTS

It is critical for ease of assembly that you take the time to sort and organize the wood and hardware.

---

## WOOD PARTS:

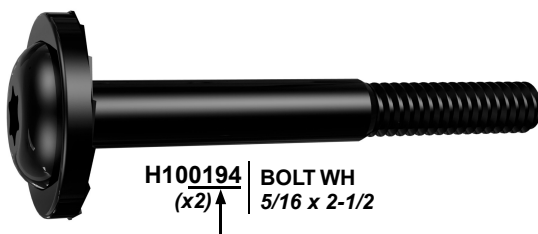
- Organize wood parts by the three-digit, alpha-numeric number stamped on each board (ex. P01).
- If there are multiple boards with the same stamped number, stack those pieces together.
- Stamps can be found on the flat surface of the boards or on the end of the boards.
- Allow yourself plenty of room - the wood pieces can take up a significant amount of space.

**NOTE: CARTONS ARE NOT ORGANIZED BY BOARD NUMBER.**



## HARDWARE PARTS:

- We recommend that you have a separate table to organize the hardware.
- Hardware bags are printed with a seven-digit, alpha-numeric part number.
- You can organize your hardware by part number or group by hardware type (i.e. bolts, nuts, etc.).
- During assembly you only need to reference the last four digits of the number.



H100194 | BOLT WH  
(x2) ↑ 5/16 x 2-1/2

# PRE-ASSEMBLY STEP 2 - TOOLS REQUIRED



Cordless Drill or  
Electric Drill



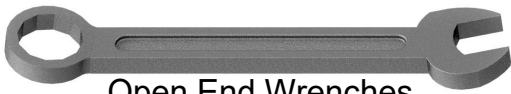
Drill Attachments:  
Phillips Head



1/8", 3/16", 3/8" &  
7/16" Drill Bits



Phillips Screw Driver



Open End Wrenches  
1/2" & 9/16"



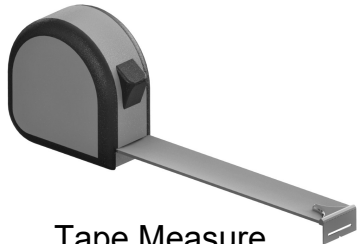
3/8" Drive Ratchet, 1/2" &  
7/16" STD Sockets 1/2" & 7/16"  
Deep Sockets



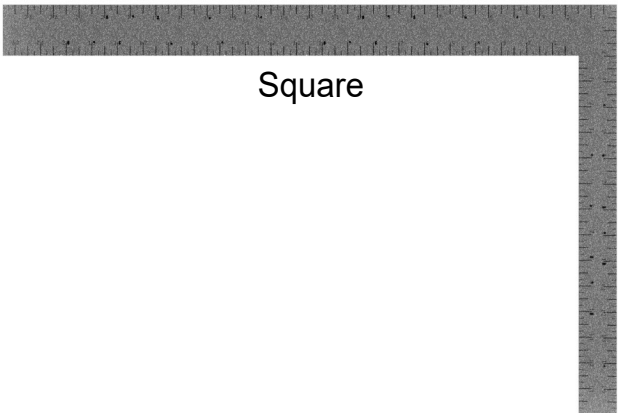
Claw Hammer



Rubber Mallet -  
Optional



Tape Measure



Square

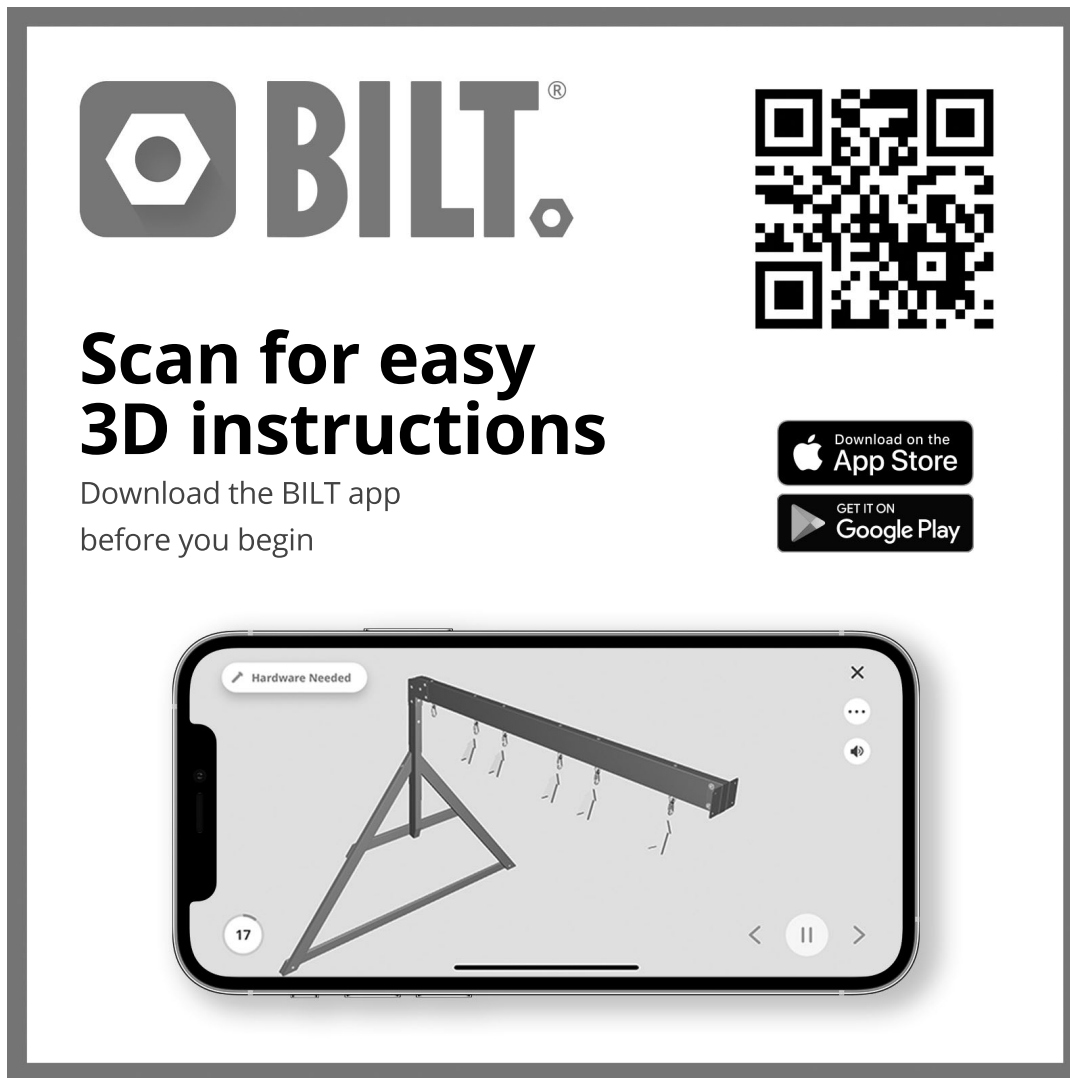


Level 24"

# PRE-ASSEMBLY STEP 3 - CHOOSE YOUR ASSEMBLY METHOD

There are several types of assembly instructions available to you.

1. Printed Assembly Manual included with your set
2. BILT APP - 3D interactive instructions
3. Combination of the Printed Manual and BILT APP (Note: Step numbers can differ between the two methods)



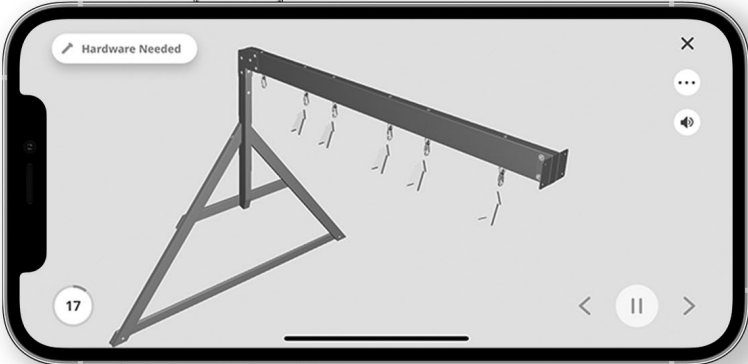
**BILT.**

Scan for easy  
**3D instructions**

Download the BILT app  
before you begin

Download on the  
App Store

GET IT ON  
Google Play



Hardware Needed

17

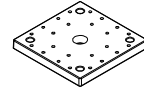
The image shows a smartphone screen displaying a 3D assembly instruction. The screen features a 3D model of a metal frame with a horizontal bar and several hanging components. A 'Hardware Needed' button is visible in the top left corner of the app interface. The step number '17' is shown in a circle in the bottom left corner. Navigation icons for back, play/pause, and forward are located at the bottom of the screen.

# STEP 4 - POST ASSEMBLY

QTY	PART NUMBER	DESCRIPTION
8	H100200	SCREW PFH 8 X 1 1/2 BLK



**P01** | POST - W2A03501  
(x1) | 6"x6"x89 1/2" (152x152x2274)

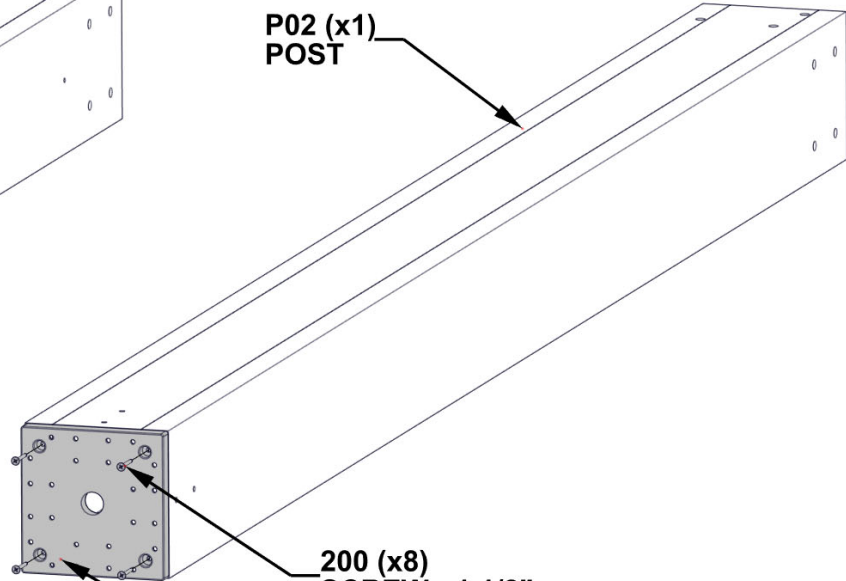
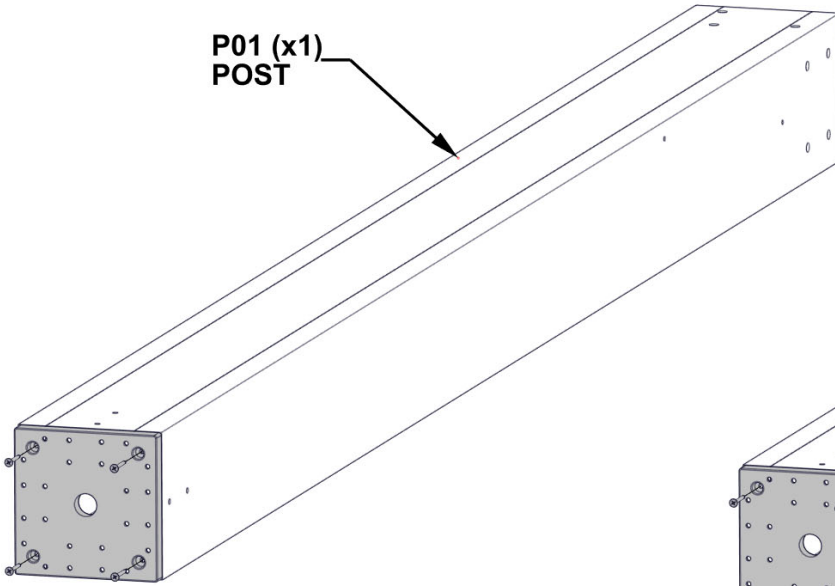


**A6P00308** | 6x6 POST FOOT  
(x2)



**P02** | POST - W2A03502  
(x1) | 6"x6"x89 1/2" (152x152x2274)

FOR EASE OF ASSEMBLY, WE RECOMMEND USING SAW HORSES FOR STEPS 4 - 11.



**ALIGN POST FOOT AND DRILL 1/8" PILOT HOLES FOR THE ATTACHMENT OF HARDWARE.**

# STEP 5 - GABLE ASSEMBLY

QTY	PART NUMBER	DESCRIPTION
2	H100483	SCREW PFH 8 X 2 1/4 BLK

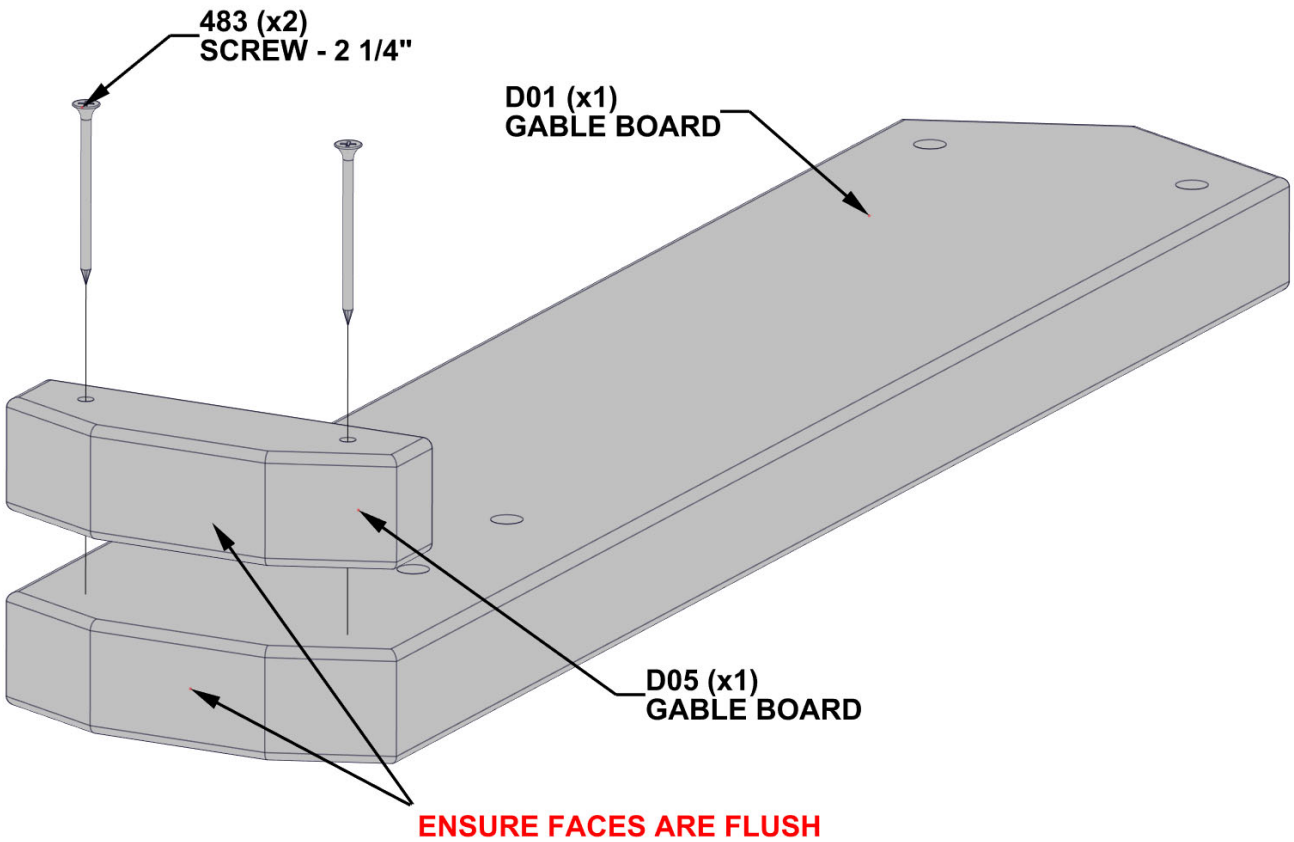


**D01 | GABLE BOARD - W4L16850**  
(x1) | 1 3/8"x5 1/4"x24 1/4" (36x134x615)



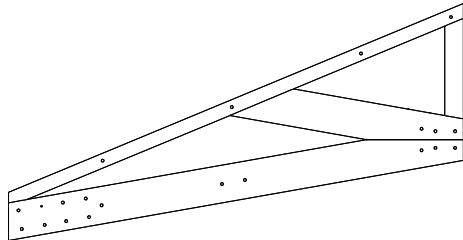
**D05 | GABLE BOARD - W4L16854**  
(x1) | 1 3/8"x1 1/2"x5 1/4" (36x38x134)

**ALIGN D05 WITH D01 ENSURING THAT BOTTOM FACES ARE FLUSH. DRILL 1/8" PILOT HOLES IN D01 USING D05 AS TEMPLATE.**



# STEP 6 - GABLE ASSEMBLY

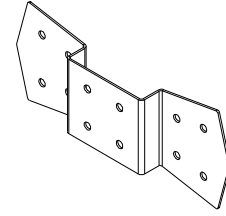
QTY	PART NUMBER	DESCRIPTION
4	H100478	WASHER FLAT 8X27 BLK
4	H100479	NUT LOCK 5/16 BLK
4	H100881	BOLT WH 5/16 X 5 BLK



**GT1 | GABLE TRUSS - W2A03503**  
(x2) 1 7/16"x33 5/8"x64 9/16" (36x854x1640)



**D01 | GABLE BOARD - W4L16850**  
(x1) 1 3/8"x5 1/4"x24 1/4" (36x134x615)



**A4M01129 | GABLE BRACKET**  
(x2)

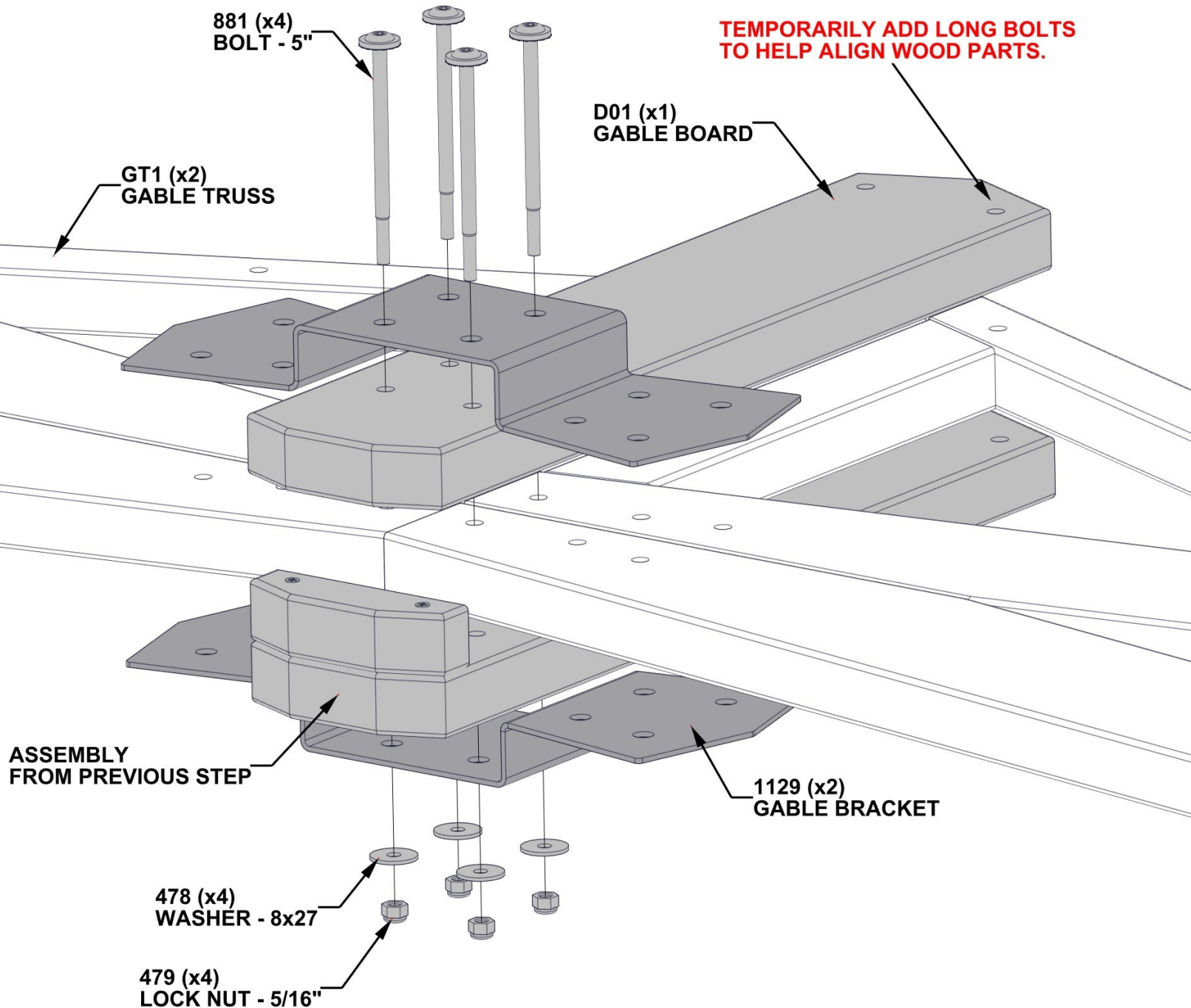
IF NEEDED FOR EASE OF ASSEMBLY, USE METAL BRACKET AS A GUIDE AND DRILL THROUGH USING A 7/16" - (10mm) DRILL BIT, THEN ASSEMBLE.

**881 (x4)  
BOLT - 5"**

**TEMPORARILY ADD LONG BOLTS TO HELP ALIGN WOOD PARTS.**

**D01 (x1)  
GABLE BOARD**

**GT1 (x2)  
GABLE TRUSS**



**ASSEMBLY FROM PREVIOUS STEP**

**1129 (x2)  
GABLE BRACKET**

**478 (x4)  
WASHER - 8x27**

**479 (x4)  
LOCK NUT - 5/16"**

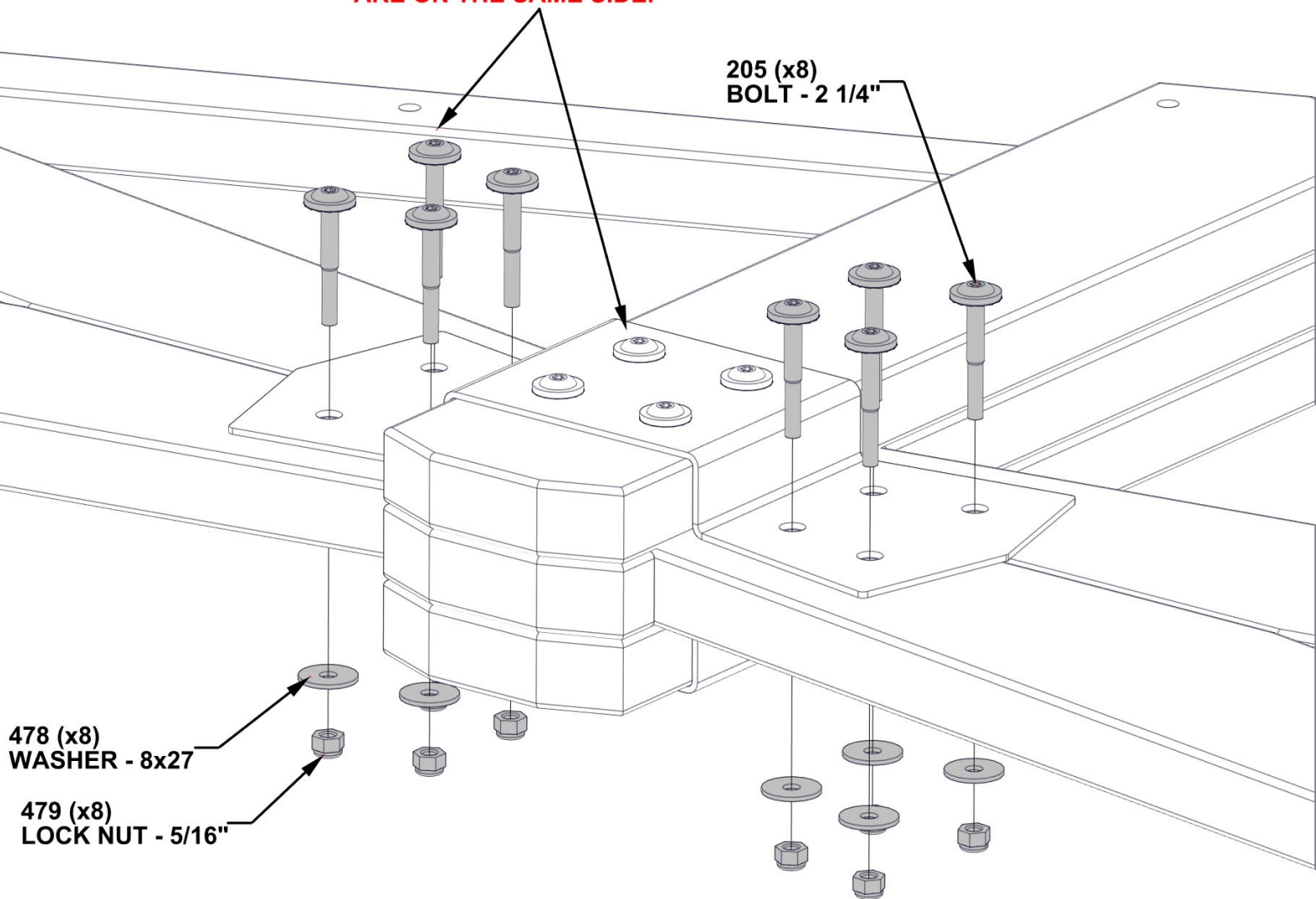


# STEP 7 - GABLE ASSEMBLY

QTY	PART NUMBER	DESCRIPTION
8	H100205	BOLT WH 5/16 X 2 1/4 BLK
8	H100478	WASHER FLAT 8X27 BLK
8	H100479	NUT LOCK 5/16 BLK

IF NEEDED FOR EASE OF ASSEMBLY, USE METAL BRACKET AS A GUIDE AND DRILL THROUGH USING A 7/16" - (10mm) DRILL BIT, THEN ASSEMBLE.

**ENSURE THAT ALL BOLT HEADS ARE ON THE SAME SIDE.**



# STEP 8A - GABLE ASSEMBLY

**P01** | POST - W2A03501  
(x1) | 6"x6"x89 1/2" (152x152x2274)

**D02** | TOP RAIL - W4L16851  
(x1) | 1 3/8"x5 1/4"x27 5/8" (36x134x703)

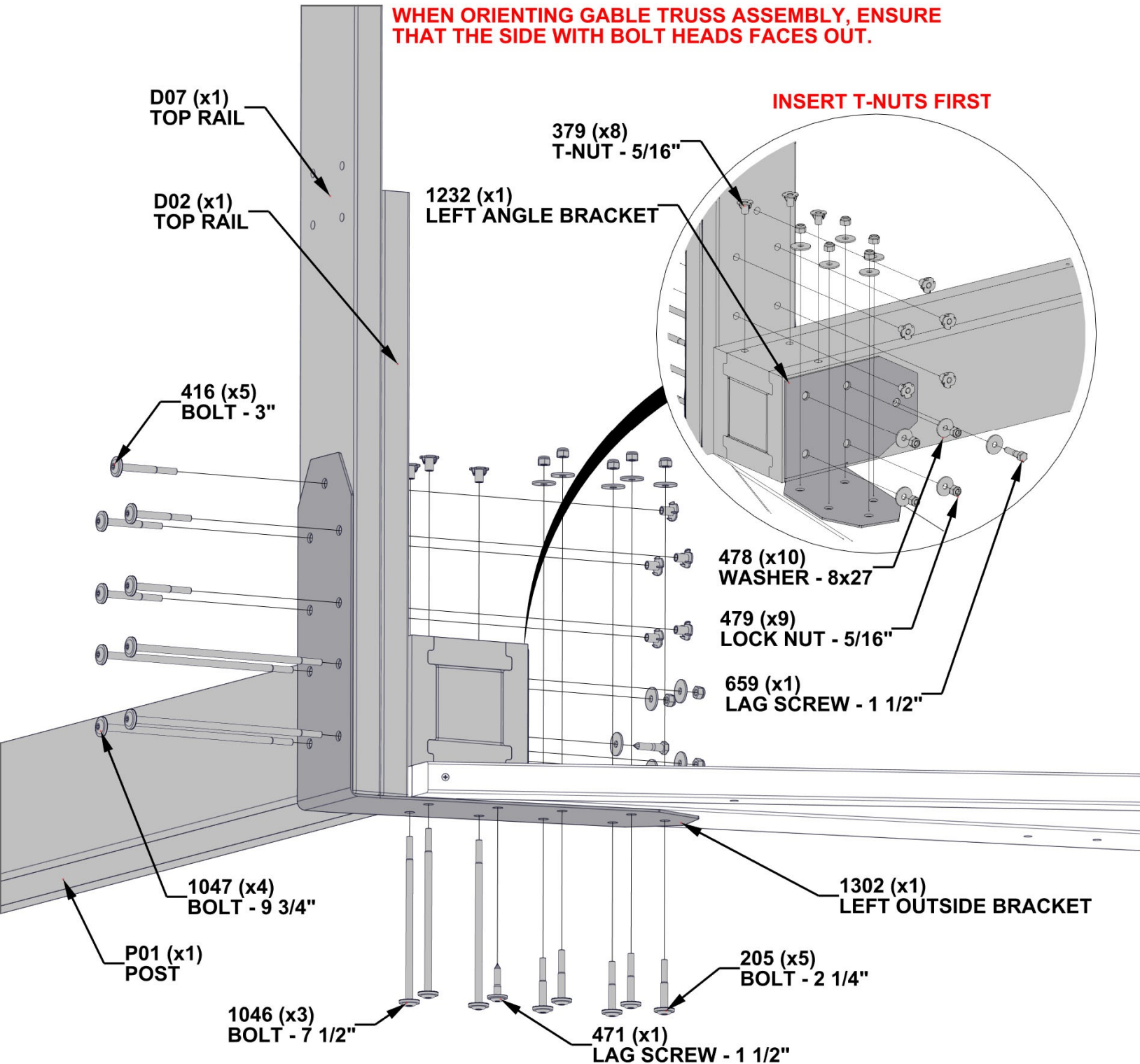
**D07** | TOP RAIL - W4L16856  
(x1) | 1 3/8"x5 1/4"x61" (36x134x1549)

**A4M01232** | LEFT ANGLE BRACKET  
(x1)

**A4M01302** | LEFT OUTSIDE BRACKET  
(x1)

QTY	PART NUMBER	DESCRIPTION
5	H100205	BOLT WH 5/16 X 2 1/4 BLK
8	H100379	T-NUT 5/16 BLK
5	H100416	BOLT WH 5/16 X 3 BLK
1	H100471	LAG SCREW WH 5/16 X 1 1/2 BLK
10	H100478	WASHER FLAT 8X27 BLK
9	H100479	NUT LOCK 5/16 BLK
1	H100659	LAG SCREW HEX 5/16x1 1/2 BLK
3	H101046	BOLT WH 5/16 X 7 1/2 BLK
4	H101047	BOLT WH 5/16 X 9 3/4 BLK

**WHEN ORIENTING GABLE TRUSS ASSEMBLY, ENSURE THAT THE SIDE WITH BOLT HEADS FACES OUT.**



# STEP 8B - GABLE ASSEMBLY

QTY	PART NUMBER	DESCRIPTION
5	H100205	BOLT WH 5/16 X 2 1/4 BLK
8	H100379	T-NUT 5/16 BLK
5	H100416	BOLT WH 5/16 X 3 BLK
1	H100471	LAG SCREW WH 5/16 X 1 1/2 BLK
10	H100478	WASHER FLAT 8X27 BLK
9	H100479	NUT LOCK 5/16 BLK
1	H100659	LAG SCREW HEX 5/16x1 1/2 BLK
3	H101046	BOLT WH 5/16 X 7 1/2 BLK
4	H101047	BOLT WH 5/16 X 9 3/4 BLK

**P02** | POST - W2A03502  
(x1) | 6"x6"x89 1/2" (152x152x2274)

**D02** | TOP RAIL - W4L16851  
(x1) | 1 3/8"x5 1/4"x27 5/8" (36x134x703)

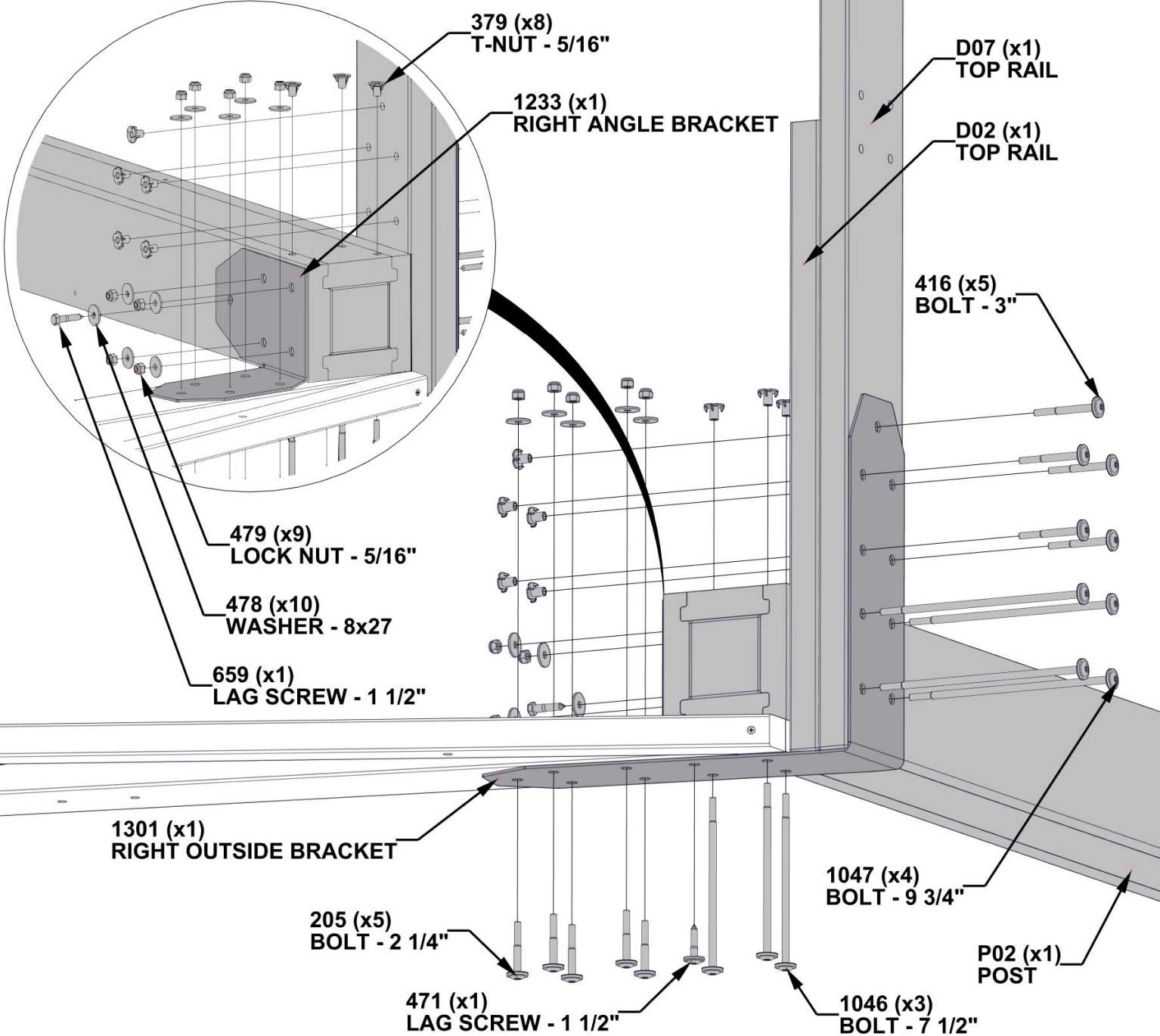
**D07** | TOP RAIL - W4L16856  
(x1) | 1 3/8"x5 1/4"x61" (36x134x1549)

**A4M01233** | RIGHT ANGLE BRACKET  
(x1)

**A4M01301** | RIGHT OUTSIDE BRACKET  
(x1)

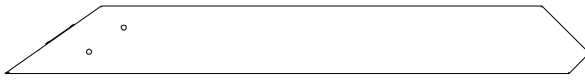
**WHEN ORIENTING GABLE TRUSS ASSEMBLY, ENSURE THAT THE SIDE WITH BOLT HEADS FACES OUT.**

**INSERT T-NUTS FIRST**



# STEP 9 - GABLE ASSEMBLY

QTY	PART NUMBER	DESCRIPTION
4	H100195	BOLT WH 5/16 X 2 3/4 BLK
4	H100198	WASHER LOCK EXT 8X19 BLK
4	H100379	T-NUT 5/16 BLK
2	H100405	WASHER LOCK EXT 6X15 BLK
2	H100792	LAG SCREW WH 1/4 X 3 BLK



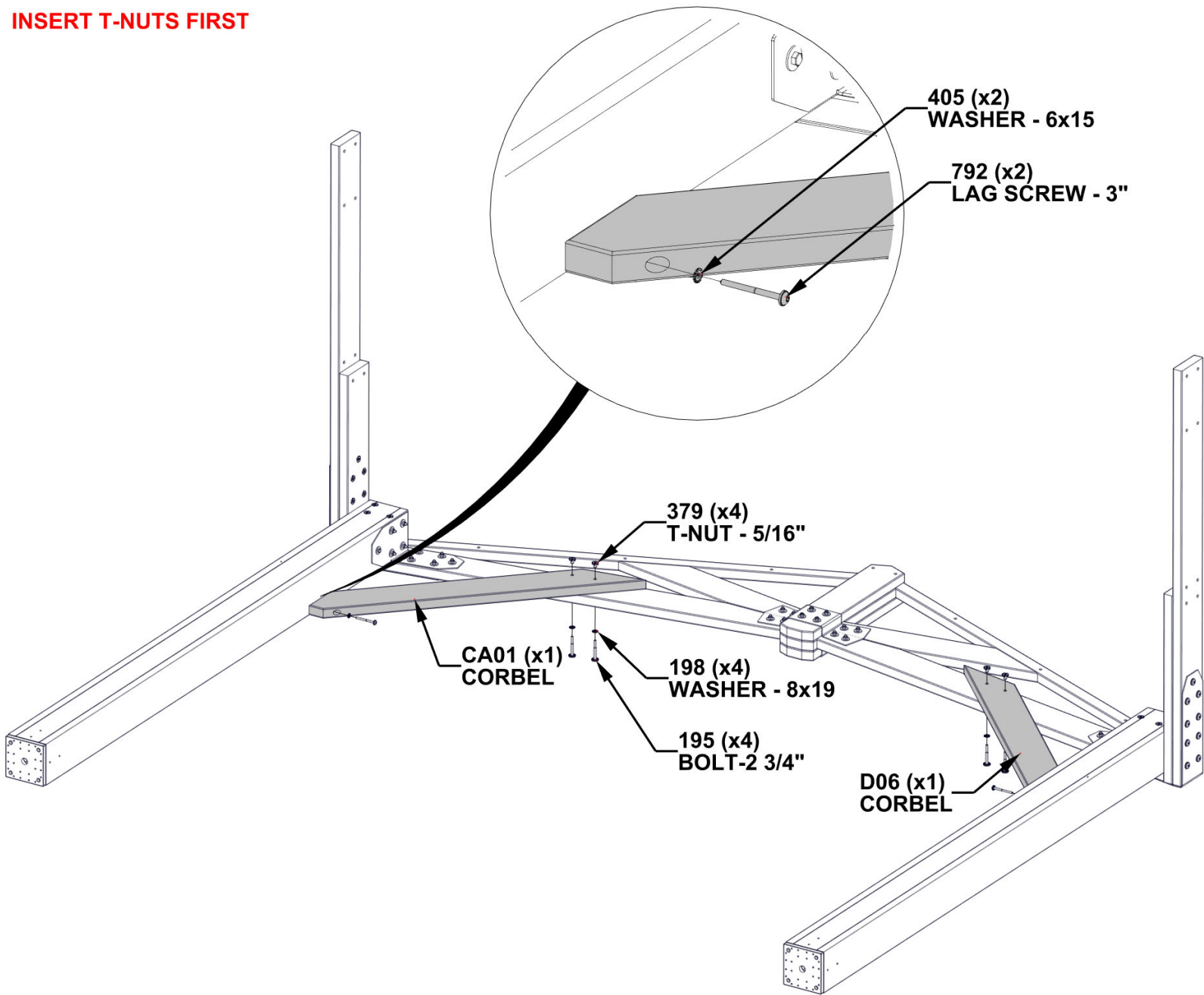
**CA01** | CORBEL - W2A03504  
(x1) | 1 7/16"x5 3/8"x46 1/16" (36x136x1160)



**D06** | CORBEL - W4L16855  
(x3) | 1 3/8"x5 1/4"x45 5/8" (36x134x1160)

**TWO D06 BOARDS WILL BE USED FOR OTHER END GABLE.**

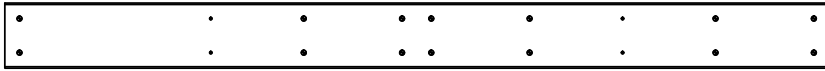
**INSERT T-NUTS FIRST**



**REPEAT POST AND GABLE ASSEMBLY  
STEPS 4 THROUGH 9**

# STEP 10 - GAZEBO ASSEMBLY

QTY	PART NUMBER	DESCRIPTION
8	H100195	BOLT WH 5/16 X 2 3/4 BLK
16	H100198	WASHER LOCK EXT 8X19 BLK
4	H100201	SCREW PFH 8 X 2 1/2 BLK
16	H100379	T-NUT 5/16 BLK
2	H100405	WASHER LOCK EXT 6X15 BLK
8	H100513	BOLT WH 5/16 X 4 1/4 BLK
2	H100792	LAG SCREW WH 1/4 X 3 BLK

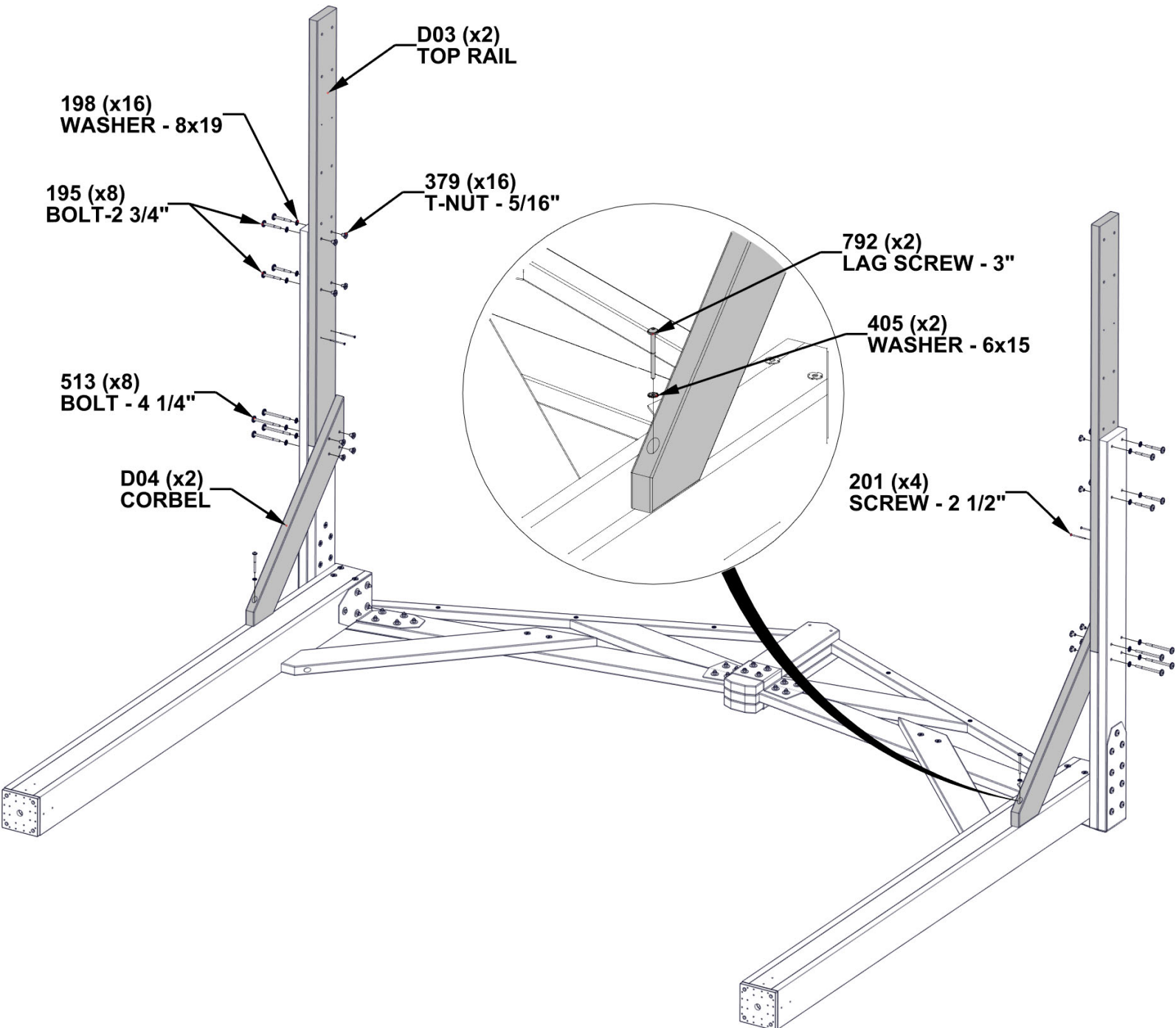


**D03 | TOP RAIL - W4L16852**  
(x2) | 1 3/8"x5 1/4"x66 5/8" (36x134x1692)



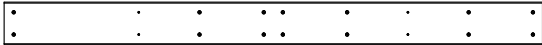
**D04 | CORBEL - W4L16853**  
(x2) | 1 3/8"x5 1/4"x35 7/8" (36x134x910)

## INSERT T-NUTS FIRST



# STEP 11 - GAZEBO ASSEMBLY

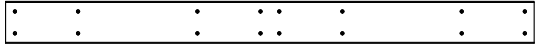
QTY	PART NUMBER	DESCRIPTION
24	H100195	BOLT WH 5/16 X 2 3/4 BLK
32	H100198	WASHER LOCK EXT 8X19 BLK
8	H100201	SCREW PFH 8 X 2 1/2 BLK
32	H100379	T-NUT 5/16 BLK
2	H100405	WASHER LOCK EXT 6X15 BLK
8	H100513	BOLT WH 5/16 X 4 1/4 BLK
2	H100792	LAG SCREW WH 1/4 X 3 BLK



**D03 | TOP RAIL - W4L16852**  
(x2) 1 3/8"x5 1/4"x66 5/8" (36x134x1692)

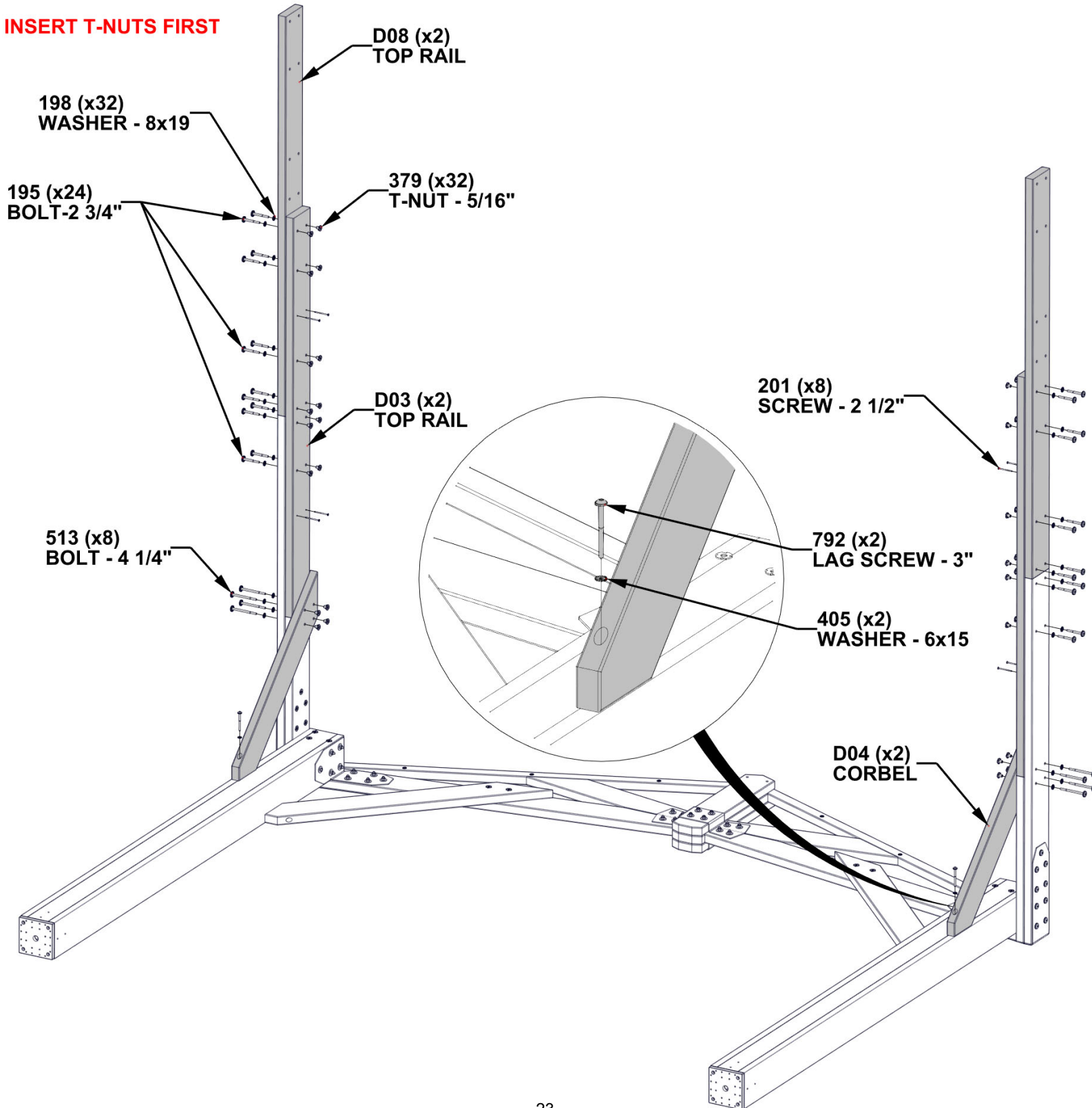


**D04 | CORBEL - W4L16853**  
(x2) 1 3/8"x5 1/4"x35 7/8" (36x134x910)



**D08 | TOP RAIL - W4L16857**  
(x2) 1 3/8"x5 1/4"x66 5/8" (36x134x1692)

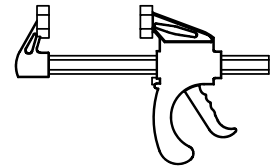
## INSERT T-NUTS FIRST



# STEP 12 - GAZEBO ASSEMBLY



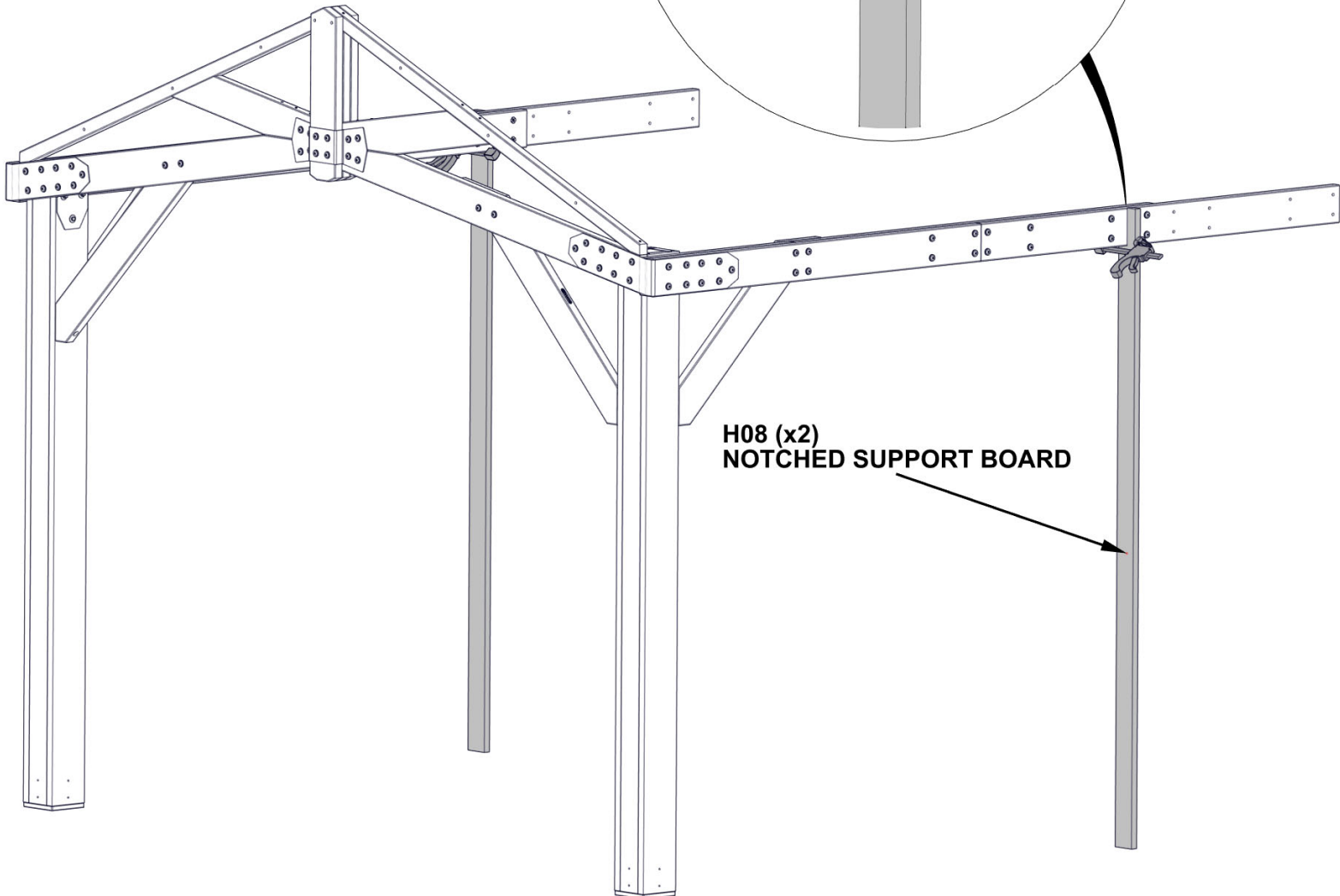
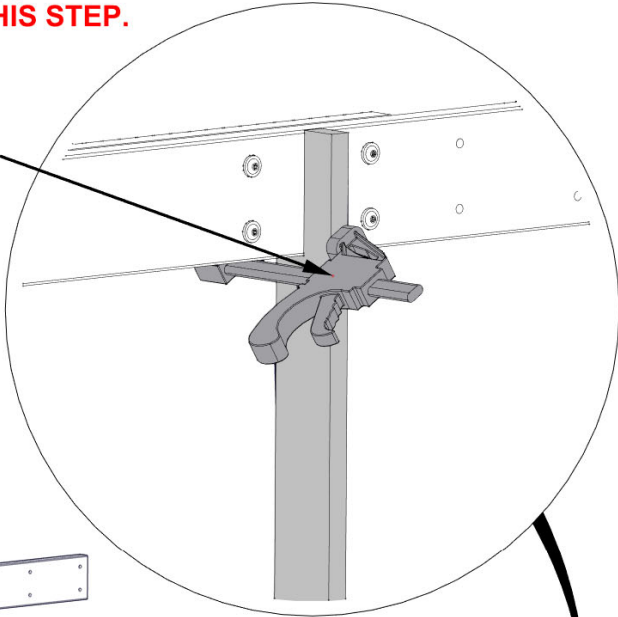
**H08** | NOTCHED SUPPORT BOARD - W4L16915  
(x2) | 1"x3 3/8"x89 1/2" (24x86x2274)



**A6P00460** | 6" QUICK RELEASE  
(x2) | BAR CLAMP

**USING THE INCLUDED CLAMPS AND H08 BOARDS, STAND UP ONE GABLE END AND SECURELY CLAMP AS SHOWN. ADDITIONAL HELPERS ARE RECOMMENDED FOR THIS STEP.**

**460 (x2)**  
**6" QUICK RELEASE BAR CLAMP**



**H08 (x2)**  
**NOTCHED SUPPORT BOARD**

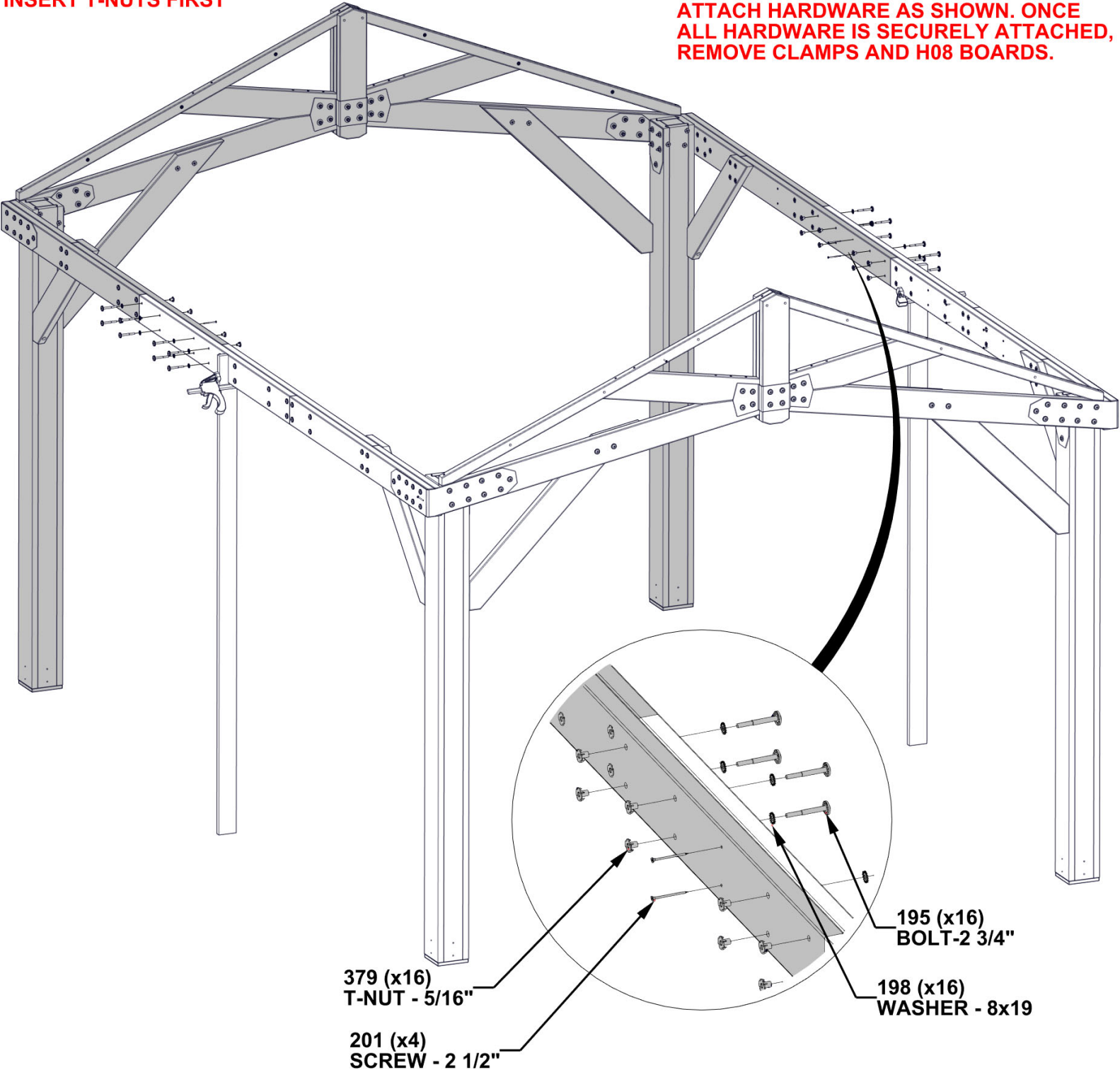


# STEP 13 - GAZEBO ASSEMBLY

QTY	PART NUMBER	DESCRIPTION
16	H100195	BOLT WH 5/16 X 2 3/4 BLK
16	H100198	WASHER LOCK EXT 8X19 BLK
4	H100201	SCREW PFH 8 X 2 1/2 BLK
16	H100379	T-NUT 5/16 BLK

**INSERT T-NUTS FIRST**

**STAND UP OTHER GABLE END AND ATTACH HARDWARE AS SHOWN. ONCE ALL HARDWARE IS SECURELY ATTACHED, REMOVE CLAMPS AND H08 BOARDS.**



# STEP 14 - GAZEBO ASSEMBLY

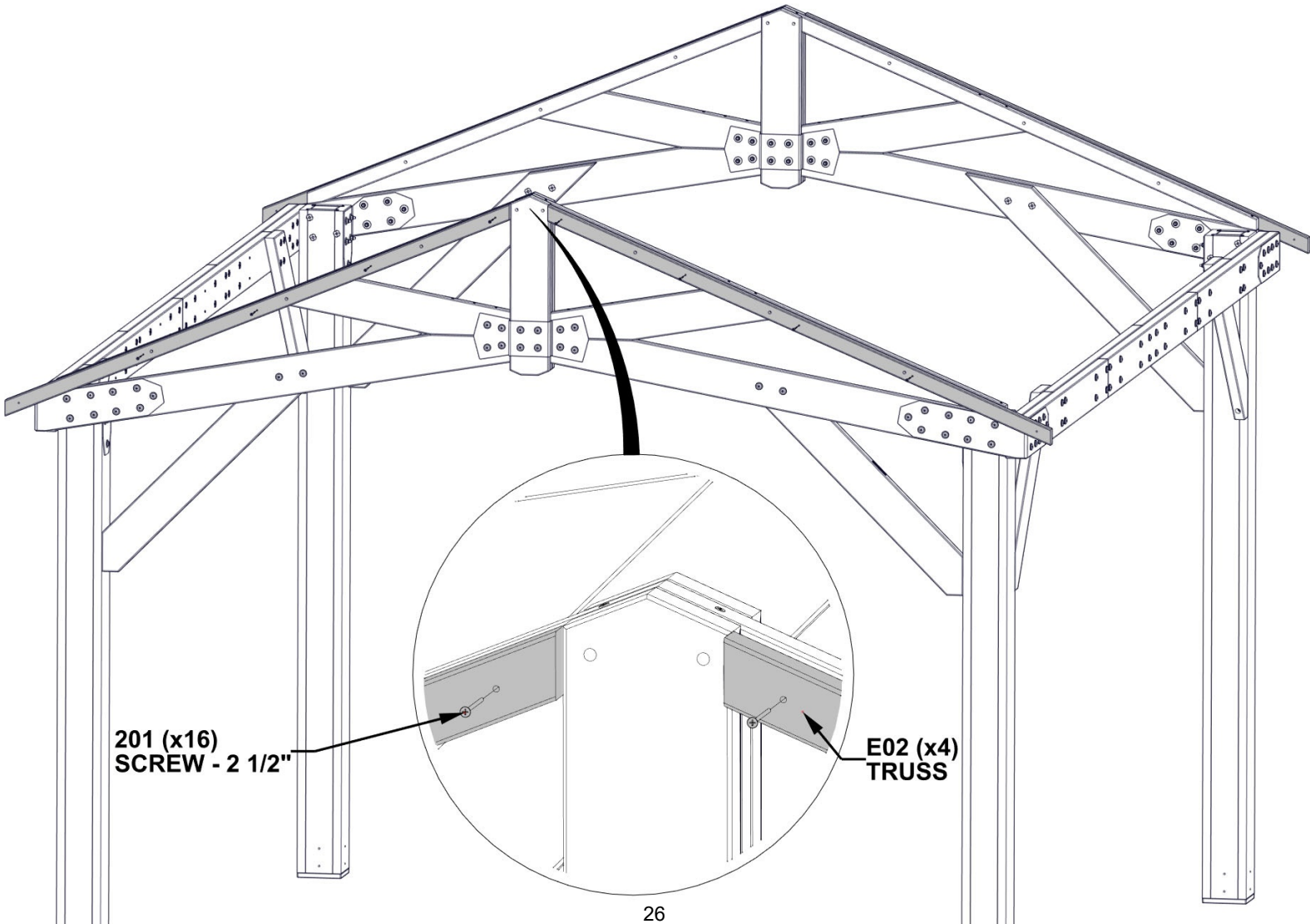
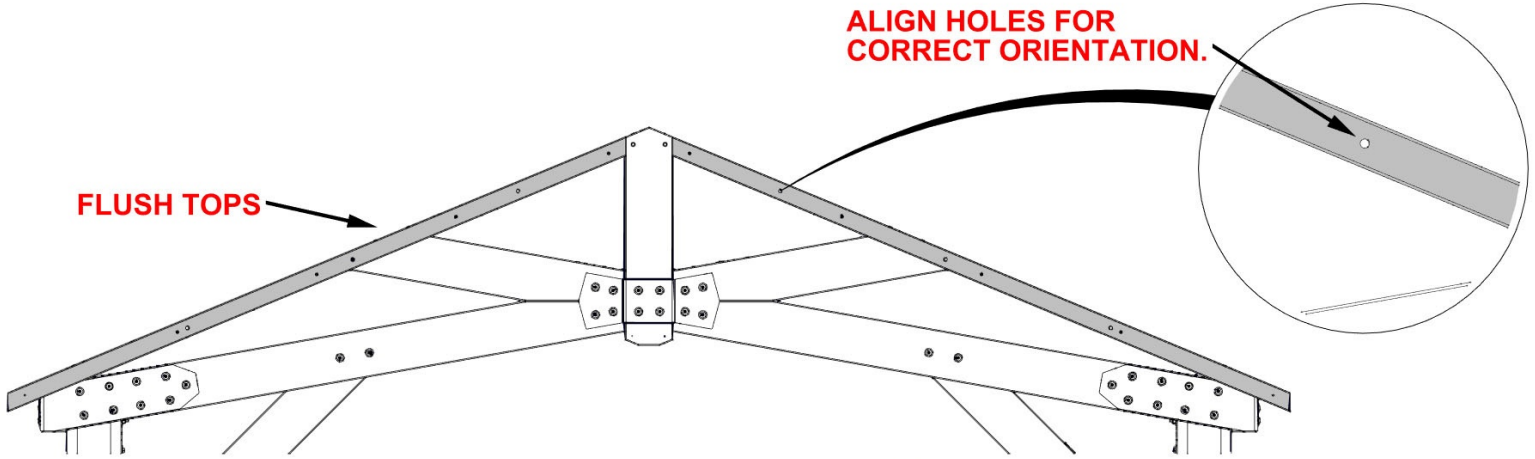
QTY	PART NUMBER	DESCRIPTION
16	H100201	SCREW PFH 8 X 2 1/2 BLK



**E02** | TRUSS - W4L16859  
(x4) | 1 7/16"x1 15/16"x74 15/16" (36x50x1902)

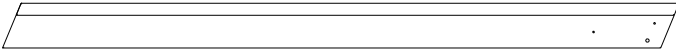
**FLUSH TOPS**

**ALIGN HOLES FOR  
CORRECT ORIENTATION.**

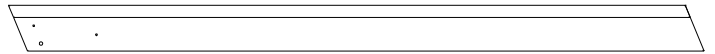


# STEP 15 - GAZEBO ASSEMBLY

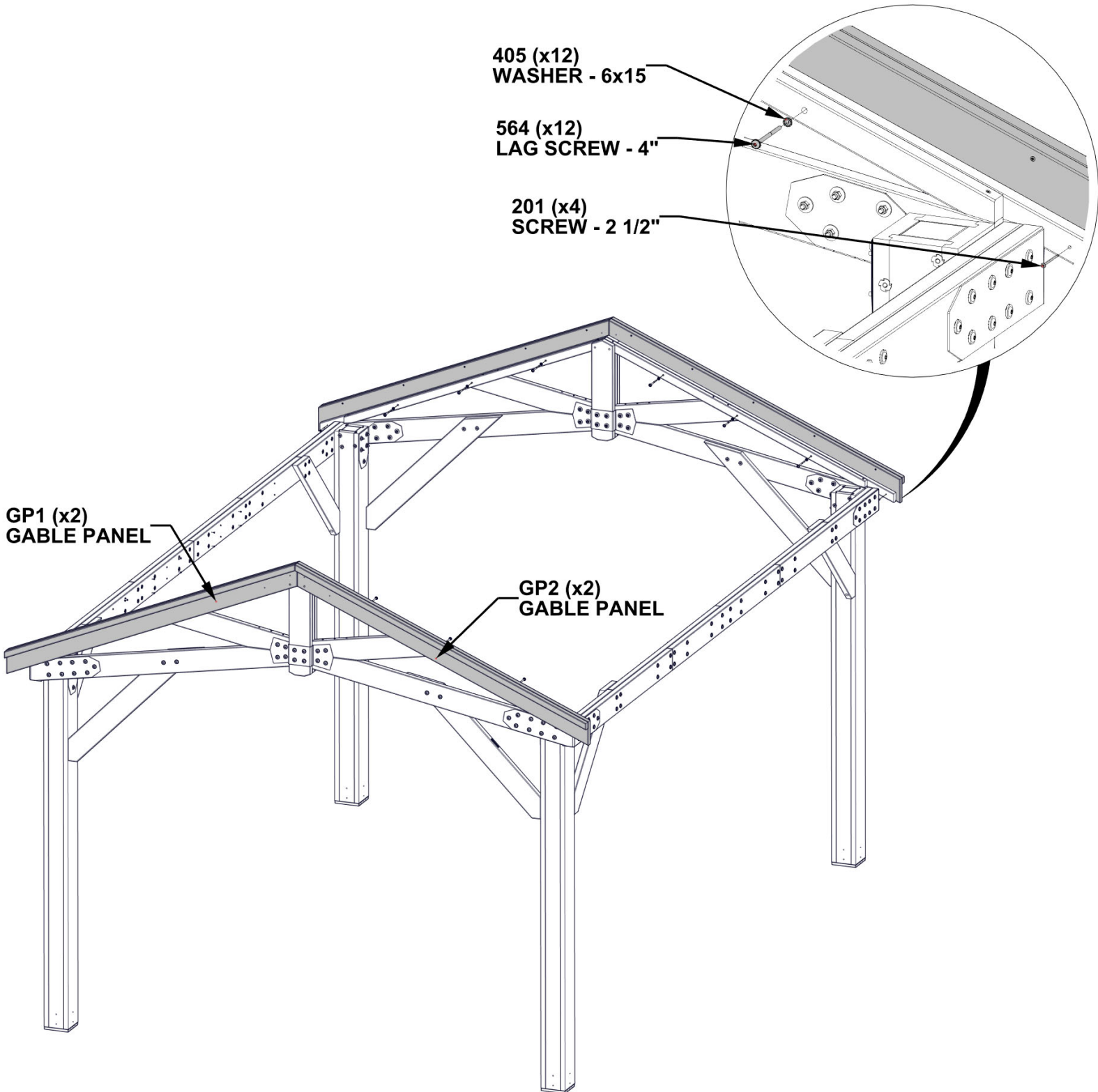
QTY	PART NUMBER	DESCRIPTION
4	H100201	SCREW PFH 8 X 2 1/2 BLK
12	H100405	WASHER LOCK EXT 6X15 BLK
12	H100564	LAG SCREW WH 1/4 X 4 BLK



**GP1 | GABLE PANEL - W2A03499**  
(x2) | 2 13/16"x5 1/4"x80 3/16" (72x134x2037)

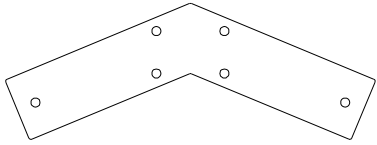


**GP2 | GABLE PANEL - W2A03500**  
(x2) | 2 13/16"x5 1/4"x80 3/16" (72x134x2037)

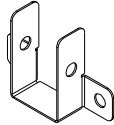


# STEP 16 - GAZEBO ASSEMBLY

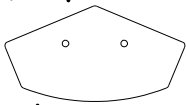
QTY	PART NUMBER	DESCRIPTION
4	H100200	SCREW PFH 8 X 1 1/2 BLK
4	H100354	BOLT WH 5/16 X 6 1/2 BLK
8	H100471	LAG SCREW WH 5/16 X 1 1/2 BLK
4	H100478	WASHER FLAT 8X27 BLK
4	H100479	NUT LOCK 5/16 BLK



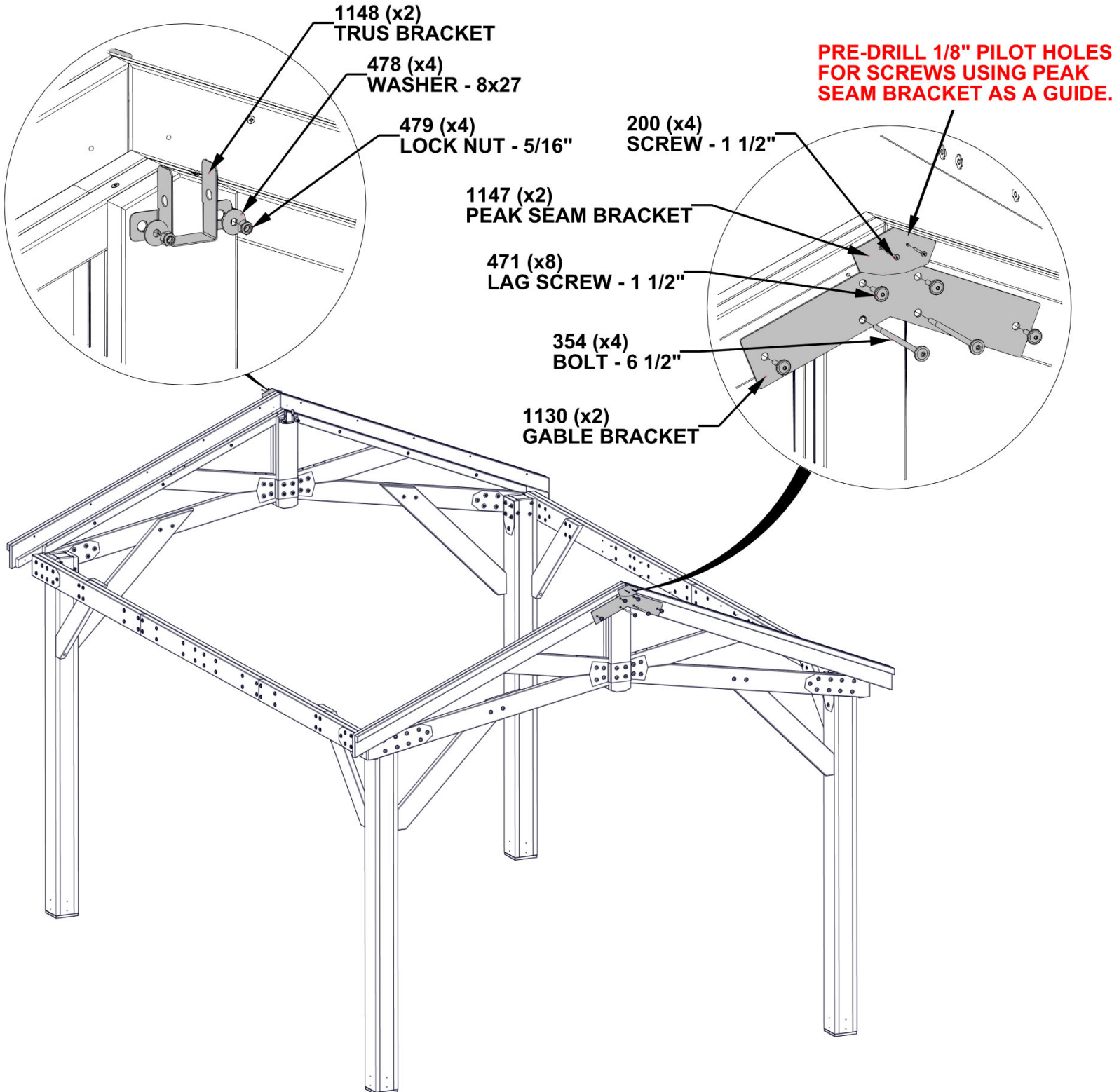
**A4M01130** | GABLE BRACKET  
(x2)



**A4M01148** | TRUSS BRACKET  
(x2)



**A4M01147** | PEAK SEAM BRACKET  
(x2)



# STEP 17 - RAFTER ASSEMBLY

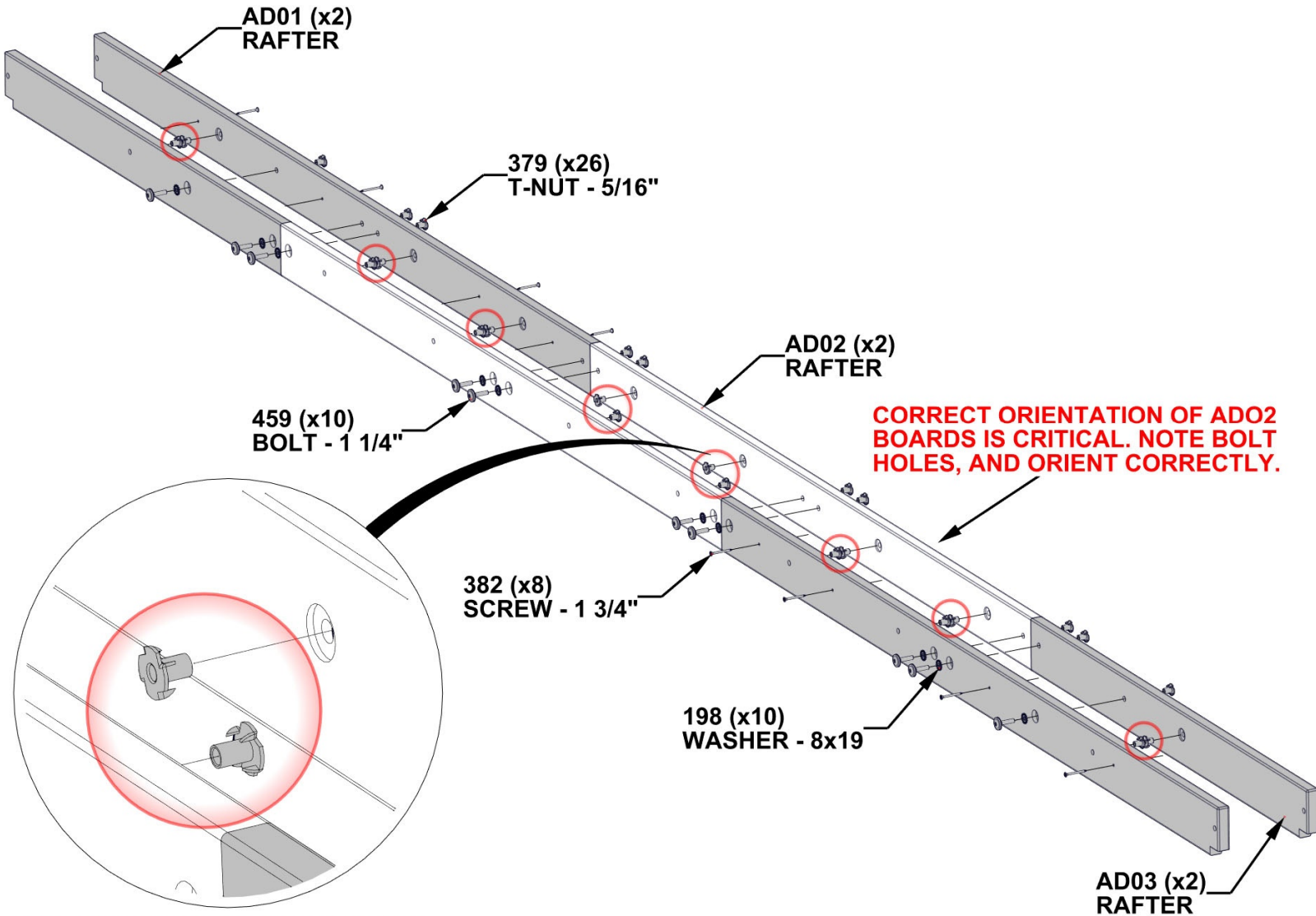
QTY	PART NUMBER	DESCRIPTION
10	H100198	WASHER LOCK EXT 8X19 BLK
26	H100379	T-NUT 5/16 BLK
8	H100382	SCREW PFH 8 X 1 3/4 BLK
10	H100459	BOLT WH 5/16 X 1 1/4 BLK

**AD01** | RAFTER - W4L16866  
(x2) | 1"x4"x74 3/4" (24x102x1900)

**AD02** | RAFTER - W4L16867  
(x2) | 1"x4"x66 3/8" (24x102x1686)

**AD03** | RAFTER - W4L16868  
(x2) | 1"x4"x41 5/8" (24x102x1057)

## INSERT T-NUTS FIRST



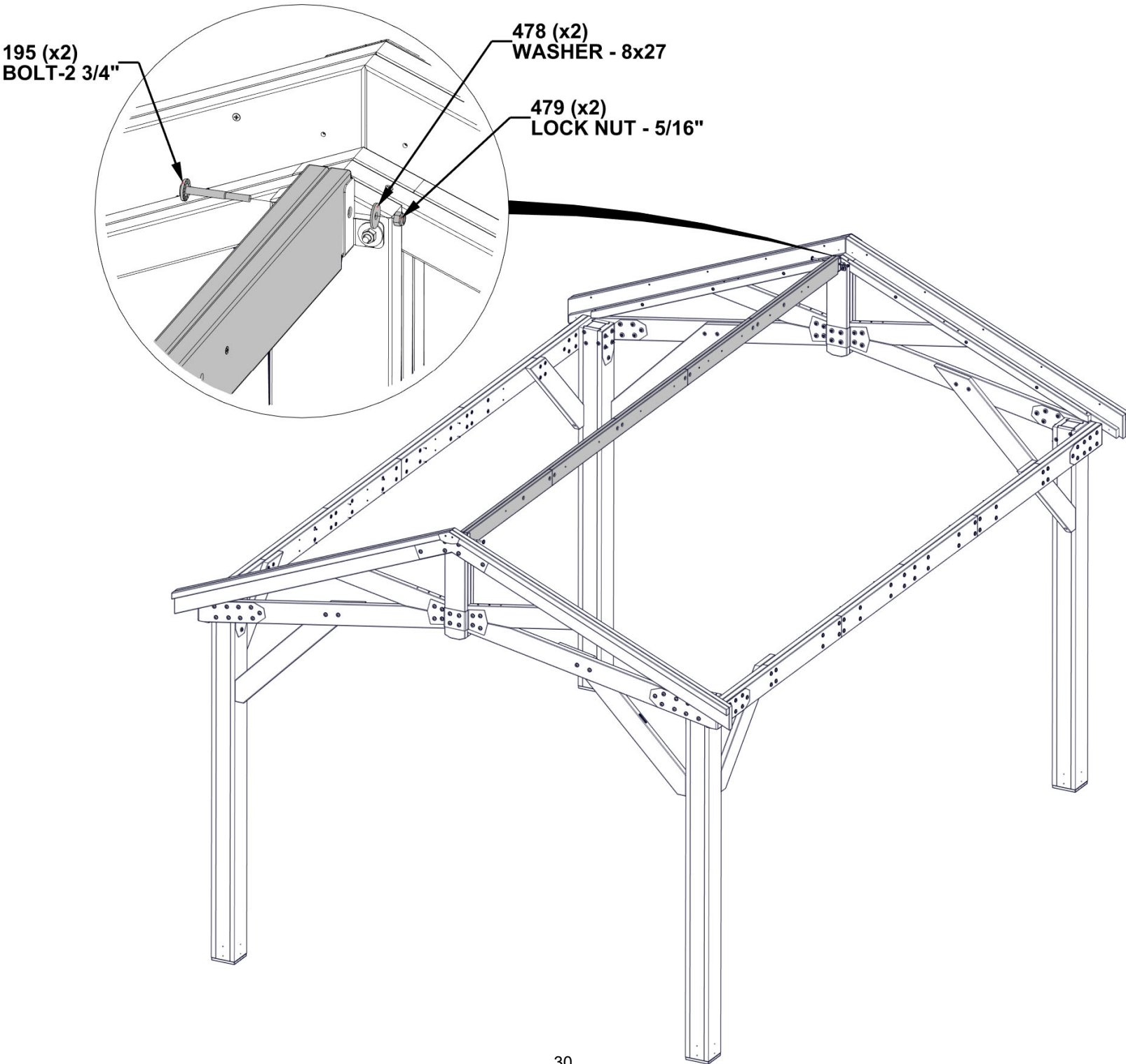
**INSERT INTERIOR T-NUTS BEFORE ANY OTHER HARDWARE IS ATTACHED.**

# STEP 18 - RAFTER ASSEMBLY

QTY	PART NUMBER	DESCRIPTION
2	H100195	BOLT WH 5/16 X 2 3/4 BLK
2	H100478	WASHER FLAT 8X27 BLK
2	H100479	NUT LOCK 5/16 BLK



**RAFTER ASSEMBLY FROM PREVIOUS STEP**



# STEP 19 - ROOF PANEL ASSEMBLY

QTY	PART NUMBER	DESCRIPTION
4	H100198	WASHER LOCK EXT 8X19 BLK
44	H100391	SCREW PFH 8 X 2 BLK
4	H100478	WASHER FLAT 8X27 BLK
4	H100479	NUT LOCK 5/16 BLK
4	H100503	BOLT WH 5/16 X 3 1/2 BLK

**H01** | FASCIA - W4L16869  
(x1) | 1"x3 3/8"x57 3/8" (24x86x1458)

**H03** | FASCIA - W4L16871  
(x1) | 1"x3 3/8"x58 3/8" (24x86x1482)

**H05** | FASCIA - W4L16873  
(x1) | 1"x3 3/8"x75 1/8" (24x86x1907)

**H02** | FASCIA - W4L16870  
(x1) | 1"x3 3/8"x58 5/8" (24x86x1490)

**H04** | FASCIA - W4L16872  
(x1) | 1"x3 3/8"x57 3/8" (24x86x1458)

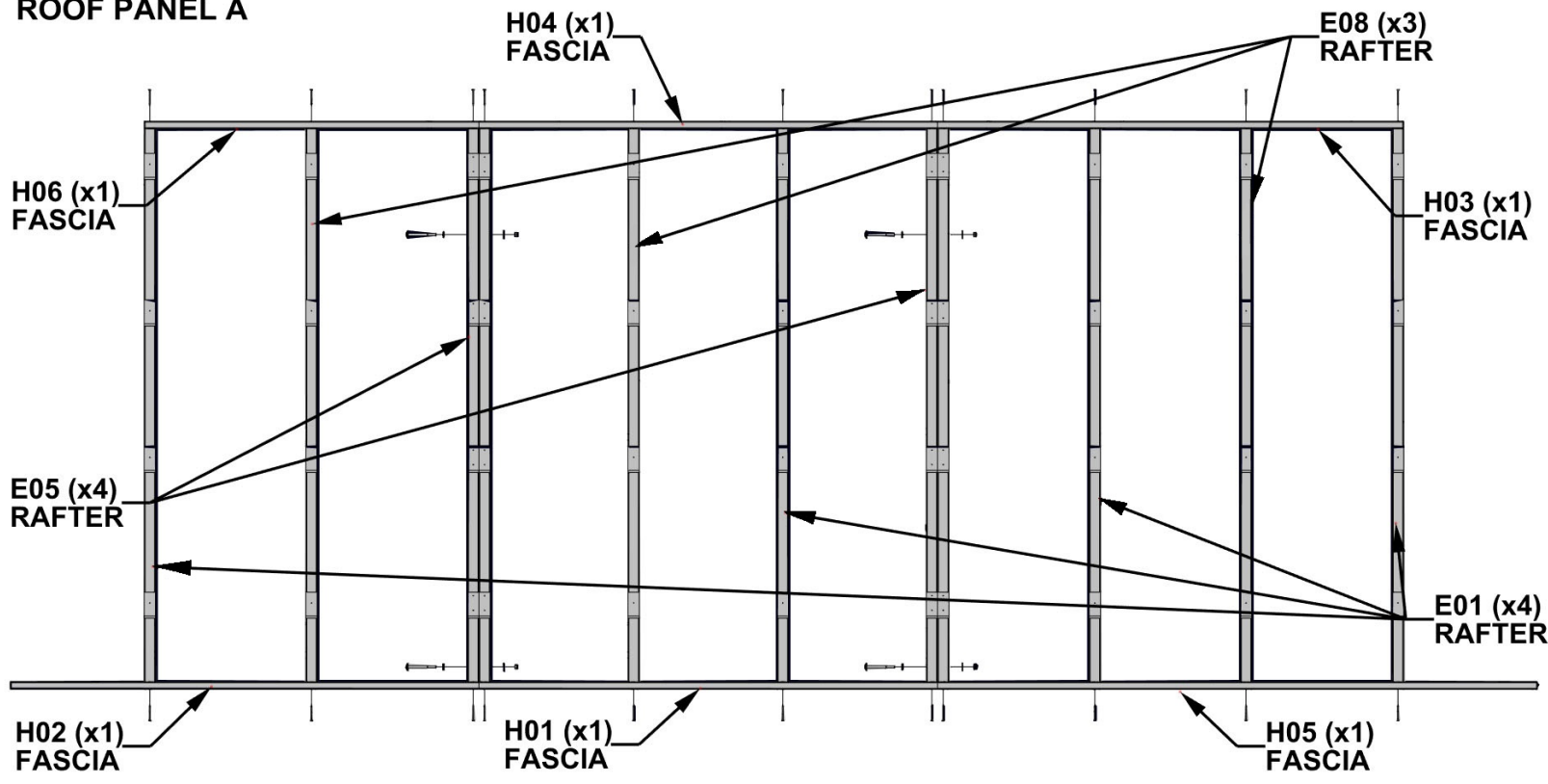
**H06** | FASCIA - W4L16874  
(x1) | 1"x3 3/8"x41 7/8" (24x86x1064)

**E01** | RAFTER - W4L16858  
(x4) | 1 3/8"x3 3/8"x76 3/8" (36x86x1941)

**E05** | RAFTER - W4L16862  
(x4) | 1 3/8"x3 3/8"x76 3/8" (36x86x1941)

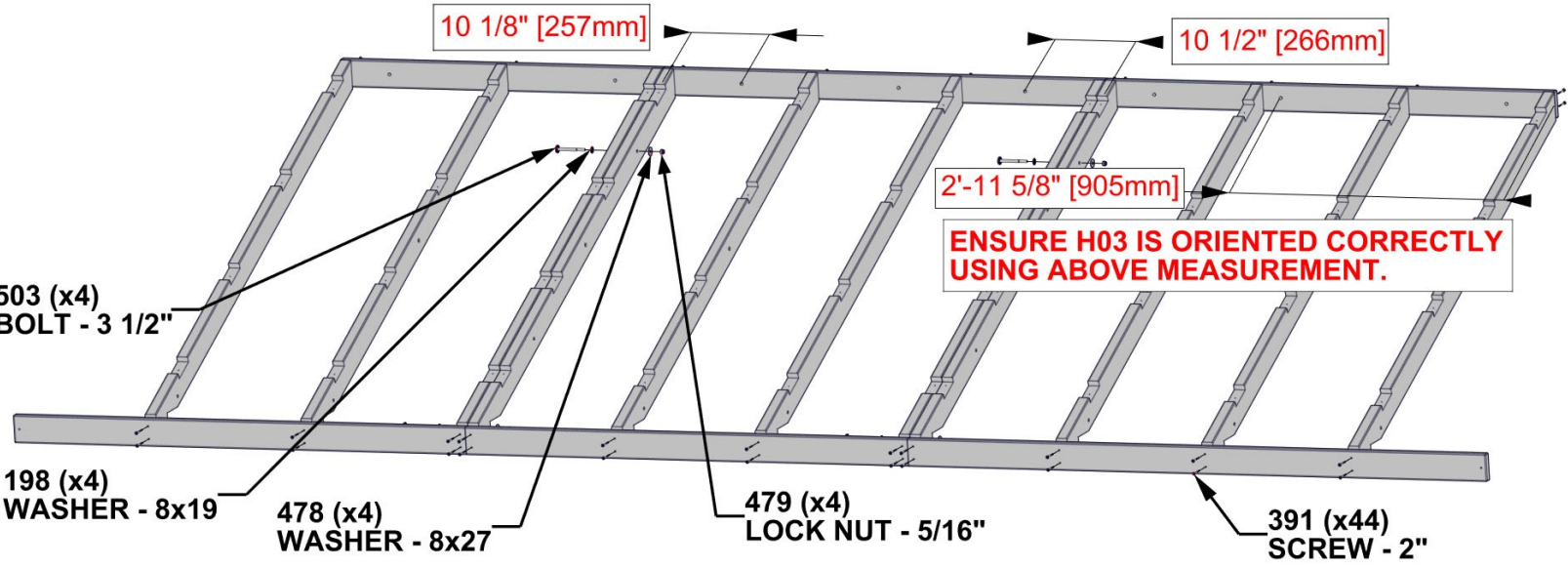
**E08** | RAFTER - W4L16865  
(x3) | 1 3/8"x3 3/8"x76 3/8" (36x86x1941)

## ROOF PANEL A



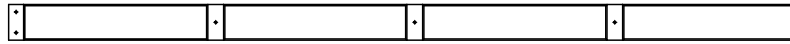
**ENSURE ALL RAFTERS ARE PLACED CORRECTLY.**

**ENSURE H04 IS ORIENTED CORRECTLY. CHECK MEASUREMENTS FROM BOLT HOLE TO END OF BOARD AND ORIENT AS SHOWN.**



# STEP 20A - ROOF PANEL ASSEMBLY

QTY	PART NUMBER	DESCRIPTION
60	H100391	SCREW PFH 8 X 2 BLK



**E03** | SHEATHING BOARD - W4L16860  
 (x4) | 1 3/8"x5 1/4"x75 1/8" (36x134x1907)



**E04** | SHEATHING BOARD - W4L16861  
 (x4) | 1 3/8"x3 3/8"x57 3/8" (36x86x1458)



**E07** | SHEATHING BOARD - W4L16864  
 (x4) | 1 3/8"x3 3/8"x58 5/8" (36x86x1490)

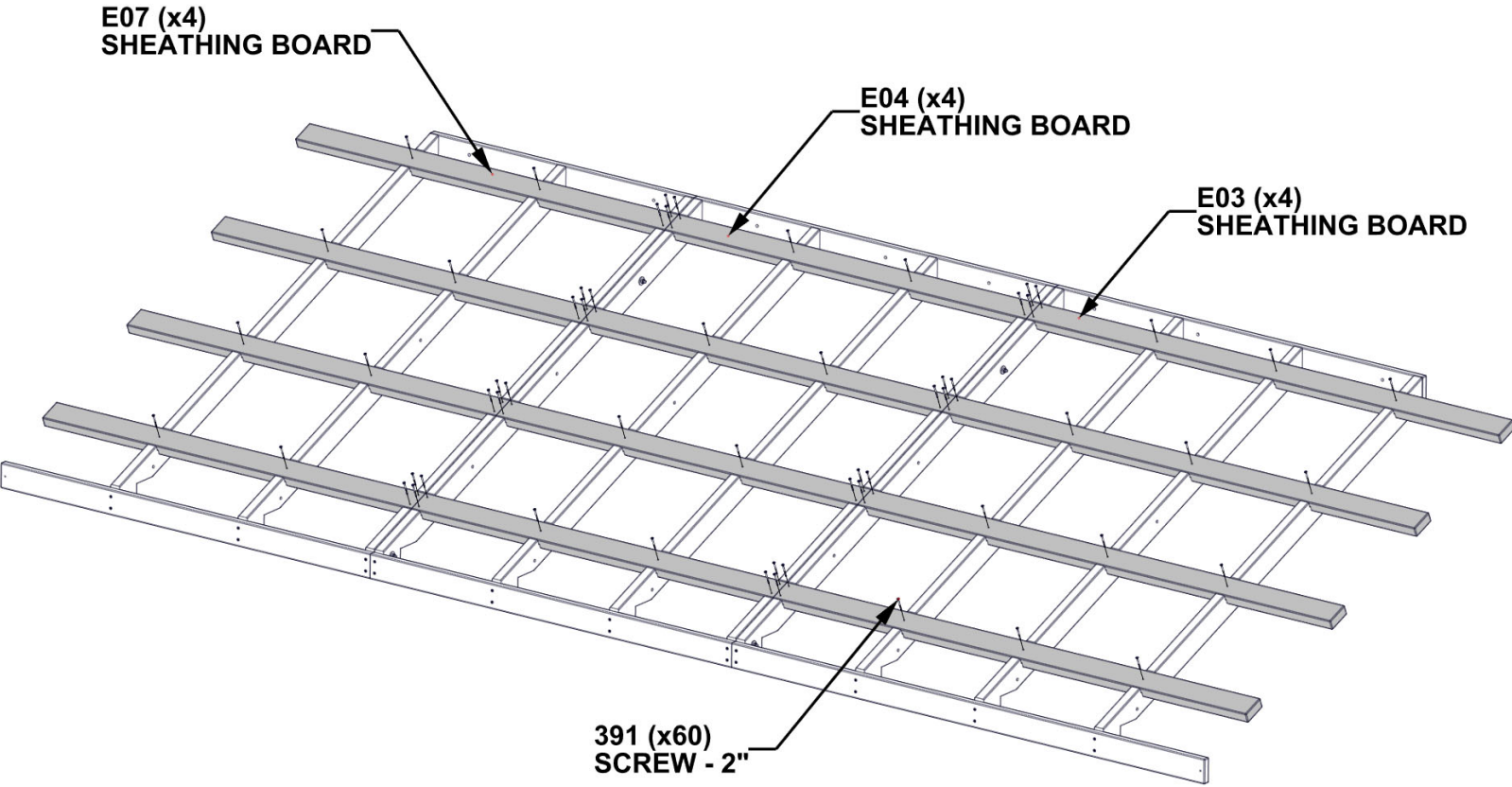
## ROOF PANEL A

**E07 (x4)**  
**SHEATHING BOARD**

**E04 (x4)**  
**SHEATHING BOARD**

**E03 (x4)**  
**SHEATHING BOARD**

**391 (x60)**  
**SCREW - 2"**





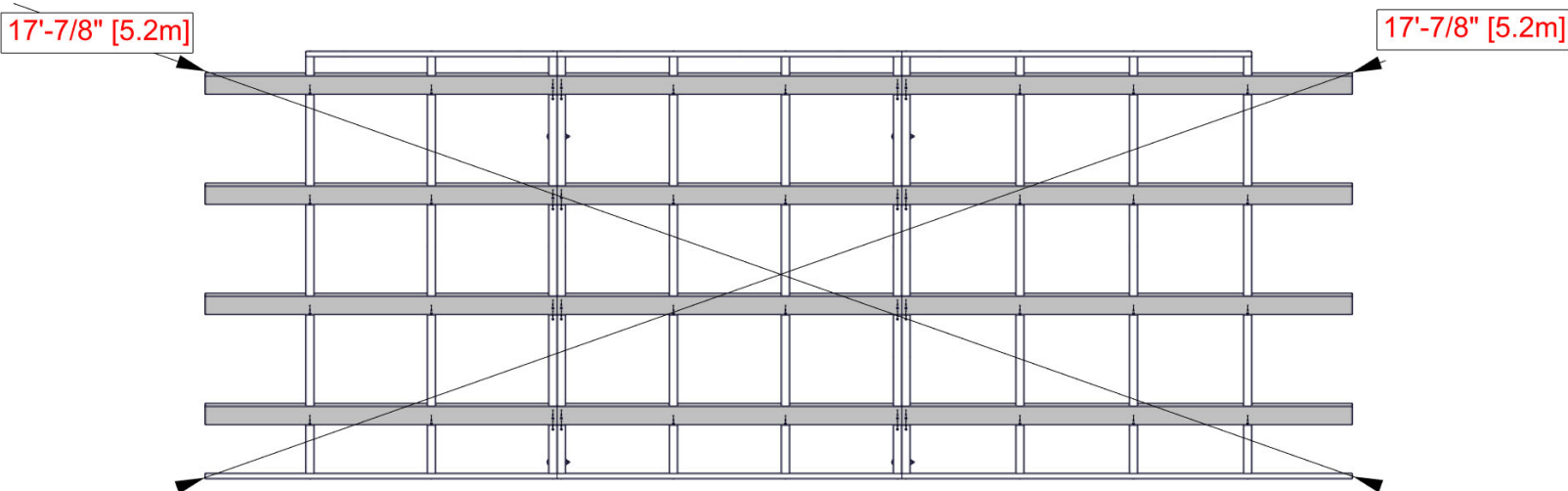
# STEP 20B - ROOF PANEL ASSEMBLY

## ROOF PANEL A

TIP: LOOSEN HARDWARE TO ADJUST FOR SQUARING IF NEEDED

### CRITICAL:

- SQUARE UNIT BEFORE PROCEEDING TO NEXT STEPS.
- THE BELOW DIMENSIONS ARE CRITICAL TO THE FINAL ROOF ASSEMBLY.
- MEASUREMENTS SHOULD BE HELD WITHIN +/- 1/4".
- MEASUREMENTS OUTSIDE OF TOLERANCE WILL LEAD TO THE INABILITY TO ASSEMBLY THE ROOF.



# STEP 21 - ROOF PANEL ASSEMBLY

## ROOF PANEL A

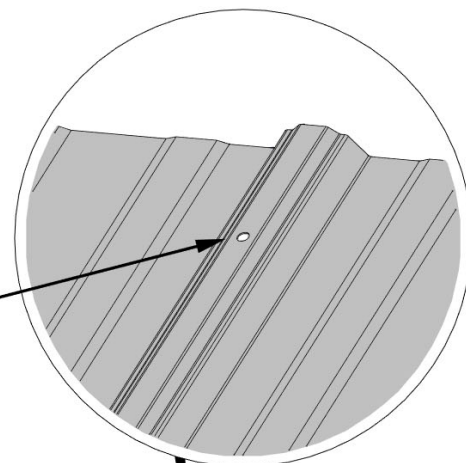
USE THIS PAGE TO FAMILIARIZE YOURSELF WITH THE ROOF PANEL AND ASSIST YOU IN STEPS 22-24.

### TIPS:

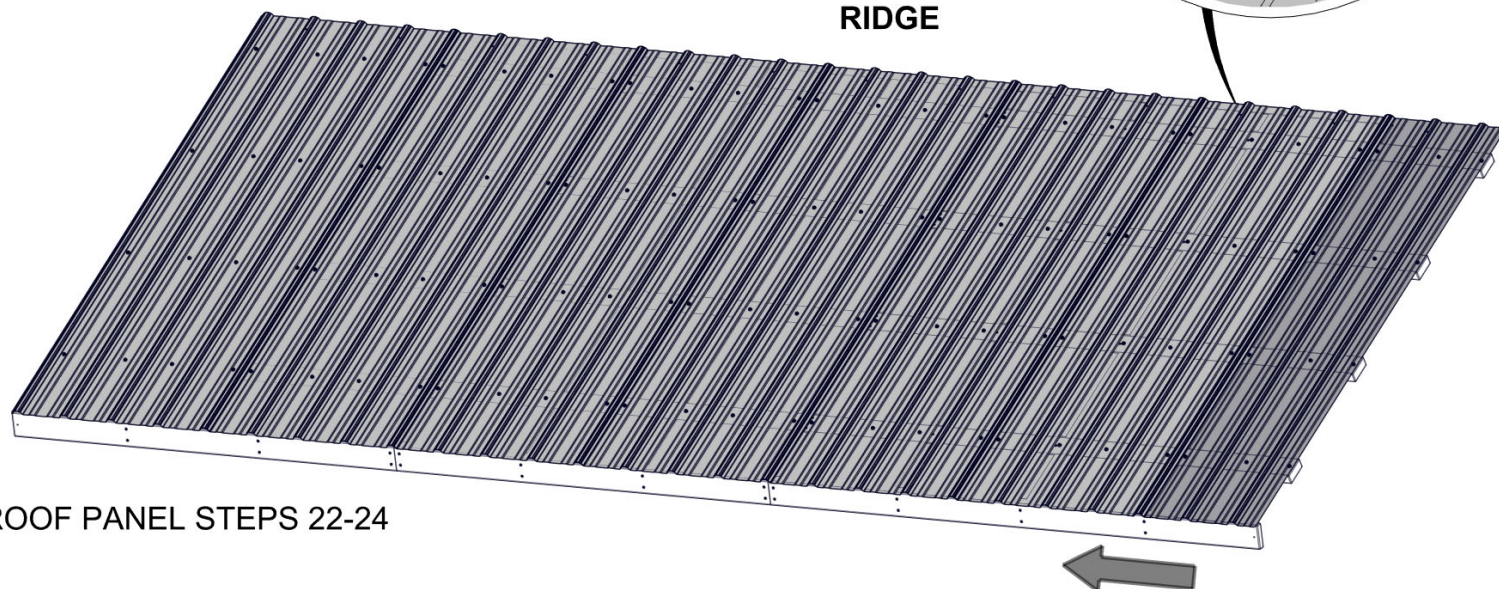
- REMOVE PROTECTIVE BLUE FILM
- START AT THE END INDICATED AND ASSEMBLE IN THE DIRECTION OF THE ARROW

**GLOVES SHOULD BE WORN WHEN HANDLING ROOF PANELS: EDGES ARE SHARP.**

**THE PRE-DRILLED HOLES ON EACH PANEL SHOULD ALWAYS BE POSITIONED ON THE RIDGE SIDE.**



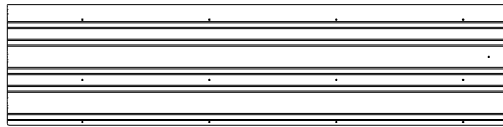
**RIDGE**



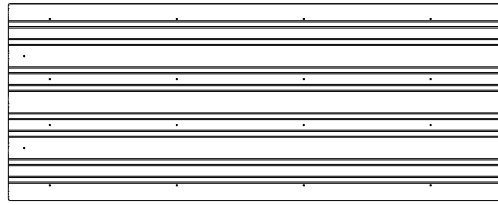
ROOF PANEL STEPS 22-24

# STEP 22 - ROOF PANEL ASSEMBLY

QTY	PART NUMBER	DESCRIPTION
44	H100833	SCREW WOODGRIP 10-16 x 3/4



A4M01371 (x1) | 29 GA STEEL SHEETING

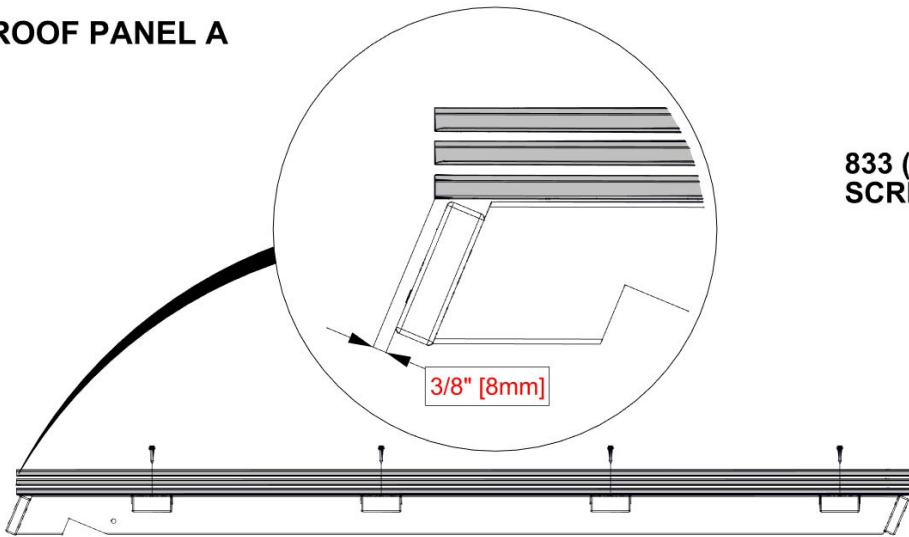


A4M01124 (x1) | 29 GA STEEL SHEETING



A4M01715 (x1) | 29 GA STEEL SHEETING

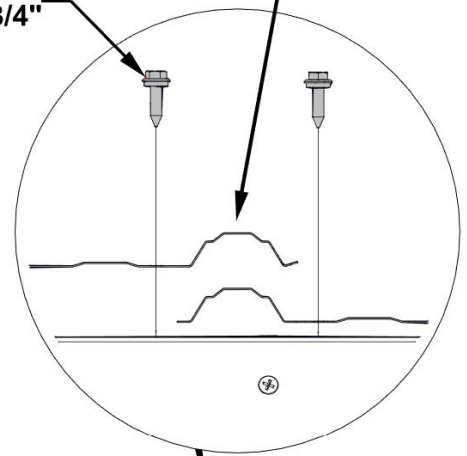
## ROOF PANEL A



3/8" [8mm]

833 (x44)  
SCREW - 3/4"

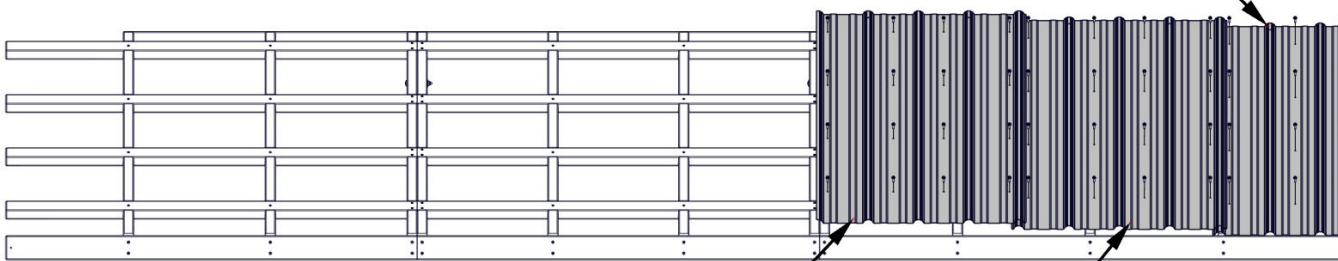
**NOTE RIB OVERLAP**



**MAKE SURE YOUR ROOF PANEL IS SQUARE BEFORE MOVING ON.**



1371 (x1)  
29 GA STEEL SHEETING

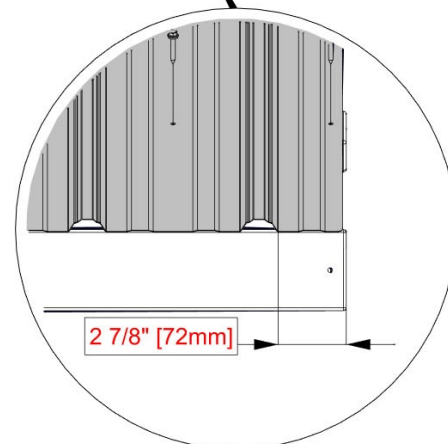


1715 (x1)  
29 GA STEEL SHEETING

**ENSURE CORRECT PLACEMENT OF 1715 STEEL SHEETING.**

1124 (x1)  
29 GA STEEL SHEETING

**HOLD SHEETING INSIDE OF FRAME MEASURING FROM RIB AS SHOWN.**



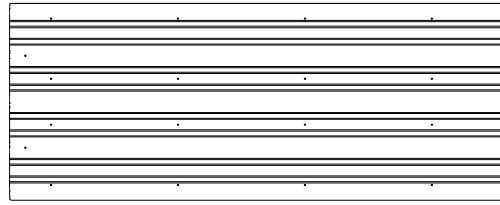
2 7/8" [72mm]

# STEP 23 - ROOF PANEL ASSEMBLY

QTY	PART NUMBER	DESCRIPTION
32	H100833	SCREW WOODGRIP 10-16 x 3/4



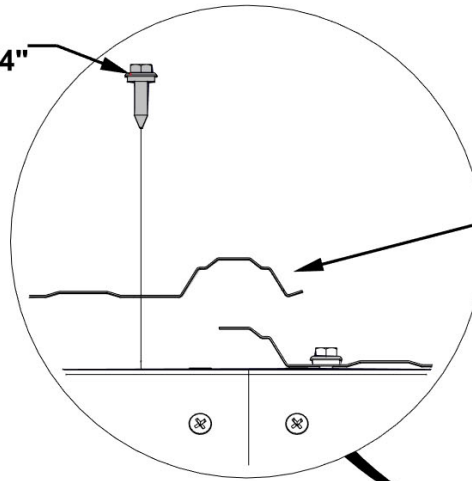
A4M01124 (x1) | 29 GA STEEL SHEETING



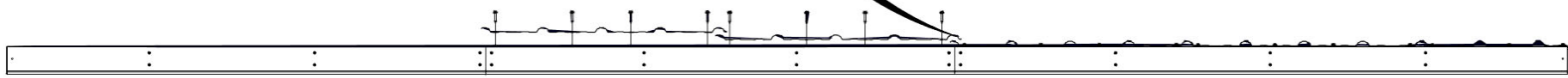
A4M01715 (x1) | 29 GA STEEL SHEETING

## ROOF PANEL A

833 (x32)  
SCREW - 3/4"



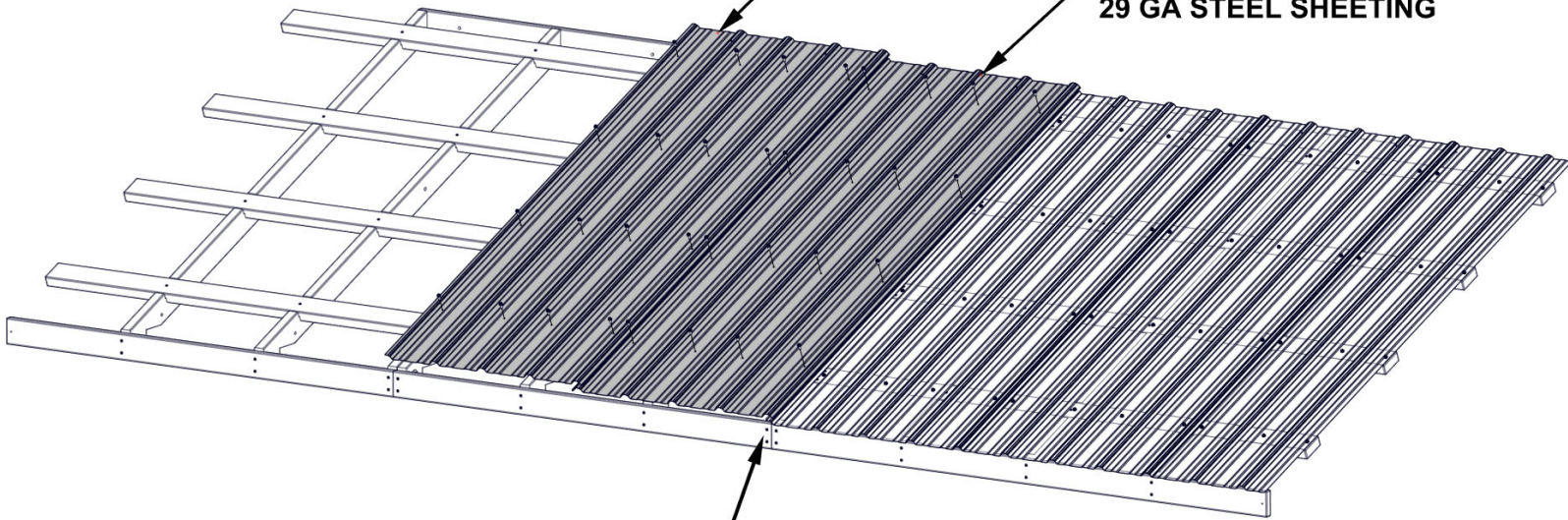
**NOTE RIB OVERLAP**



**ENSURE CORRECT PLACEMENT OF 1715 STEEL SHEETING.**

1715 (x1)  
29 GA STEEL SHEETING

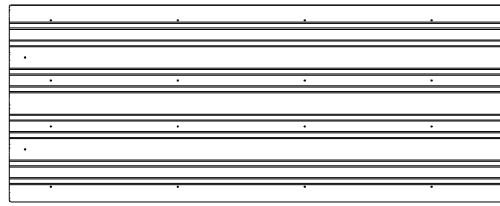
1124 (x1)  
29 GA STEEL SHEETING



**FLUSH ENDS OF ALL SHEETS**

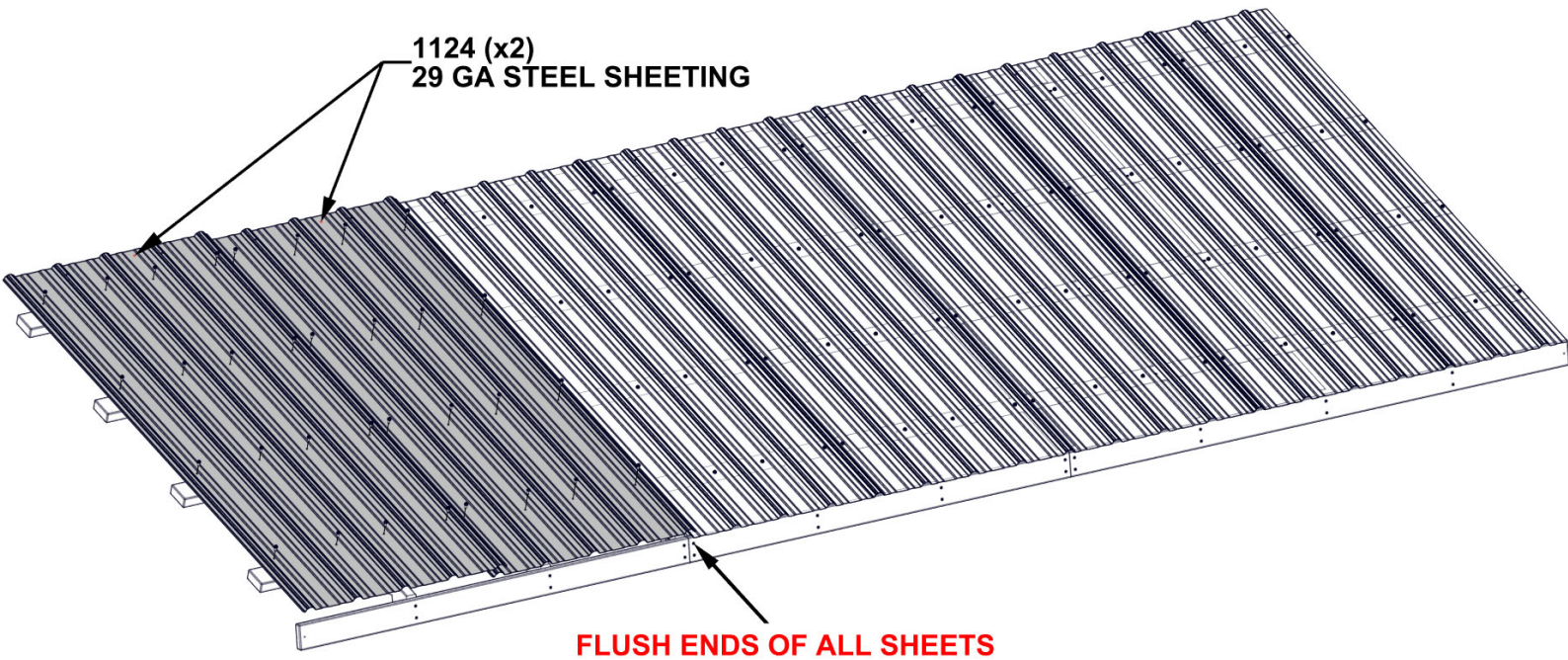
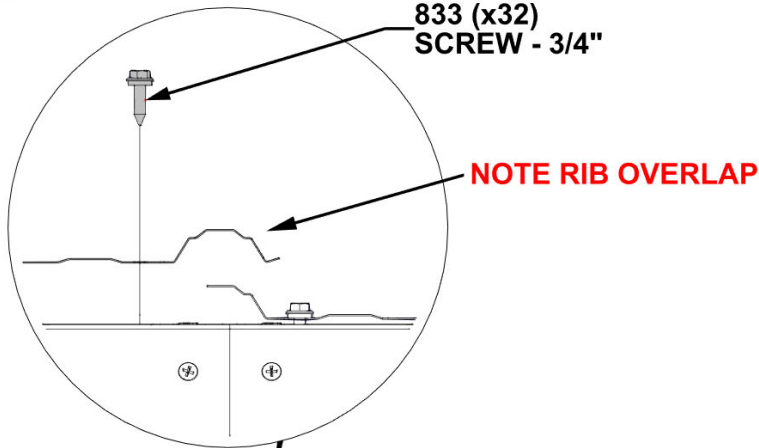
# STEP 24 - ROOF PANEL ASSEMBLY

QTY	PART NUMBER	DESCRIPTION
32	H100833	SCREW WOODGRIP 10-16 x 3/4



A4M01124 (x2) | 29 GA STEEL SHEETING

## ROOF PANEL A

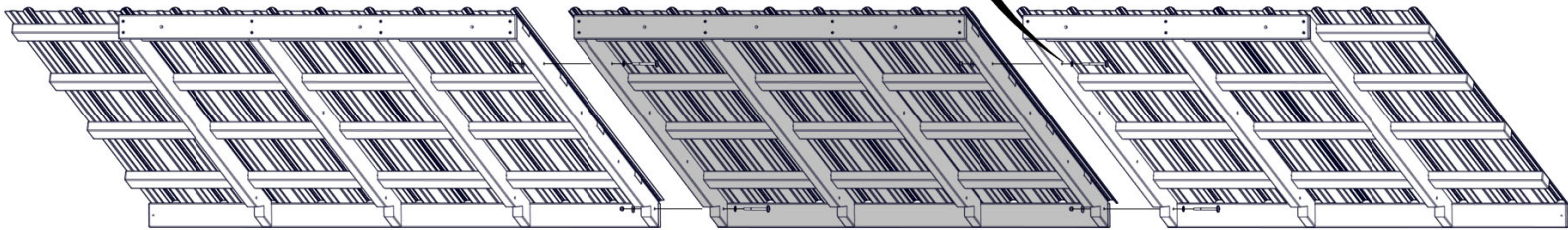
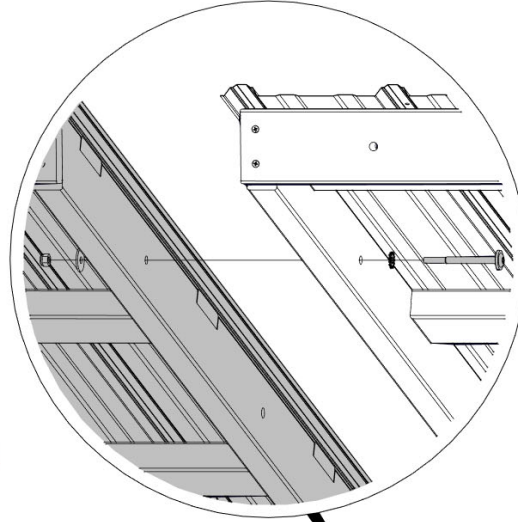


# STEP 25 - ROOF PANEL ASSEMBLY

## ROOF PANEL A

**SEPARATE ROOF PANEL AT THIS TIME FOR EASE OF ASSEMBLING.**

**REMOVE HARDWARE AND SET TO THE SIDE AS IT WILL BE USED AGAIN AFTER BOTH ROOF PANELS ARE INSTALLED.**



SECTION 1

SECTION 2

SECTION 3

# STEP 26 - ROOF PANEL ASSEMBLY

QTY	PART NUMBER	DESCRIPTION
4	H100198	WASHER LOCK EXT 8X19 BLK
44	H100391	SCREW PFH 8 X 2 BLK
4	H100478	WASHER FLAT 8X27 BLK
4	H100479	NUT LOCK 5/16 BLK
4	H100503	BOLT WH 5/16 X 3 1/2 BLK

**H01** | FASCIA - W4L16869  
(x1) | 1"x3 3/8"x57 3/8" (24x86x1458)

**H02** | FASCIA - W4L16870  
(x1) | 1"x3 3/8"x58 5/8" (24x86x1490)

**H03** | FASCIA - W4L16871  
(x1) | 1"x3 3/8"x58 3/8" (24x86x1482)

**H05** | FASCIA - W4L16873  
(x1) | 1"x3 3/8"x75 1/8" (24x86x1907)

**H06** | FASCIA - W4L16874  
(x1) | 1"x3 3/8"x41 7/8" (24x86x1064)

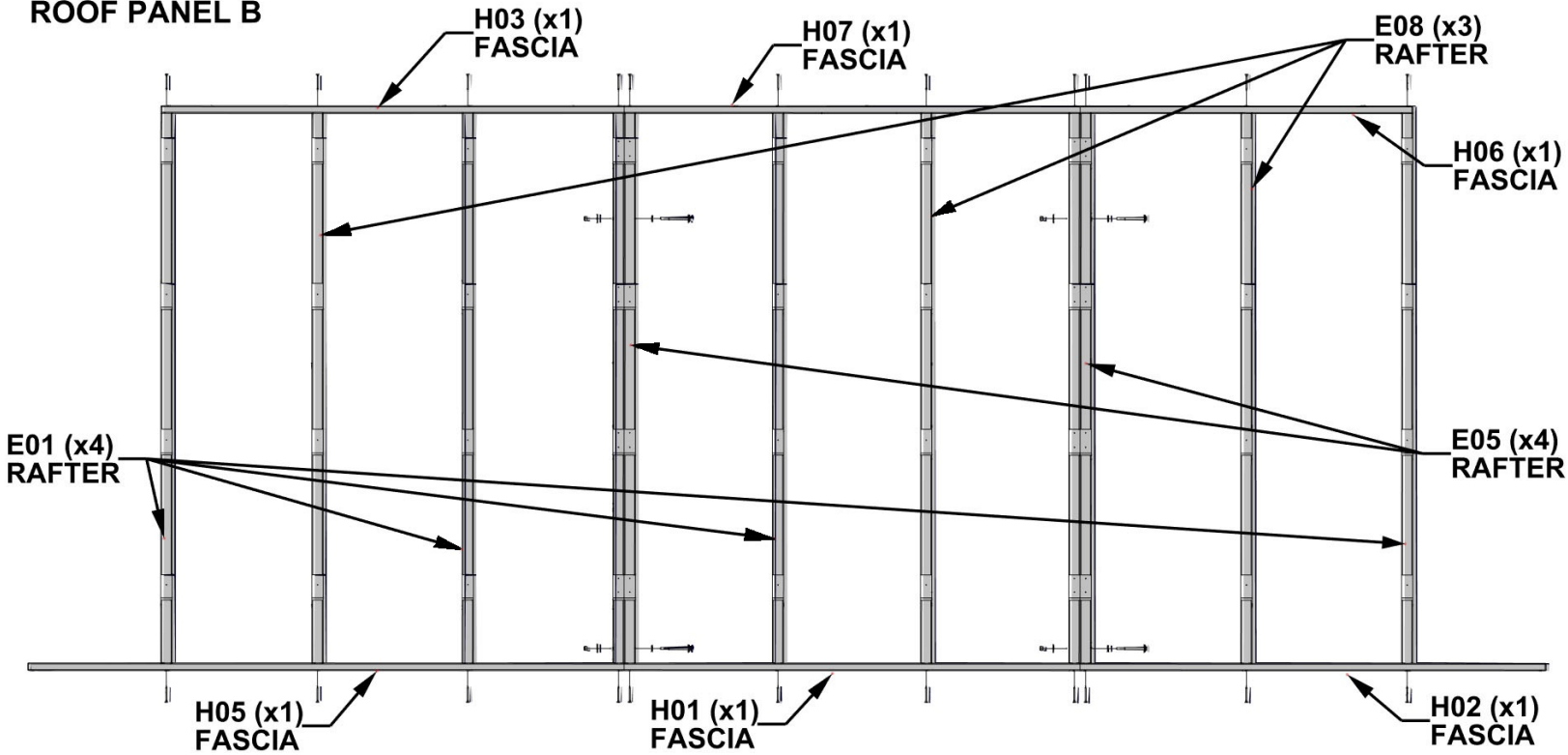
**H07** | FASCIA - W4L16875  
(x1) | 1"x3 3/8"x57 3/8" (24x86x1458)

**E01** | RAFTER - W4L16858  
(x4) | 1 3/8"x3 3/8"x76 3/8" (36x86x1941)

**E05** | RAFTER - W4L16862  
(x4) | 1 3/8"x3 3/8"x76 3/8" (36x86x1941)

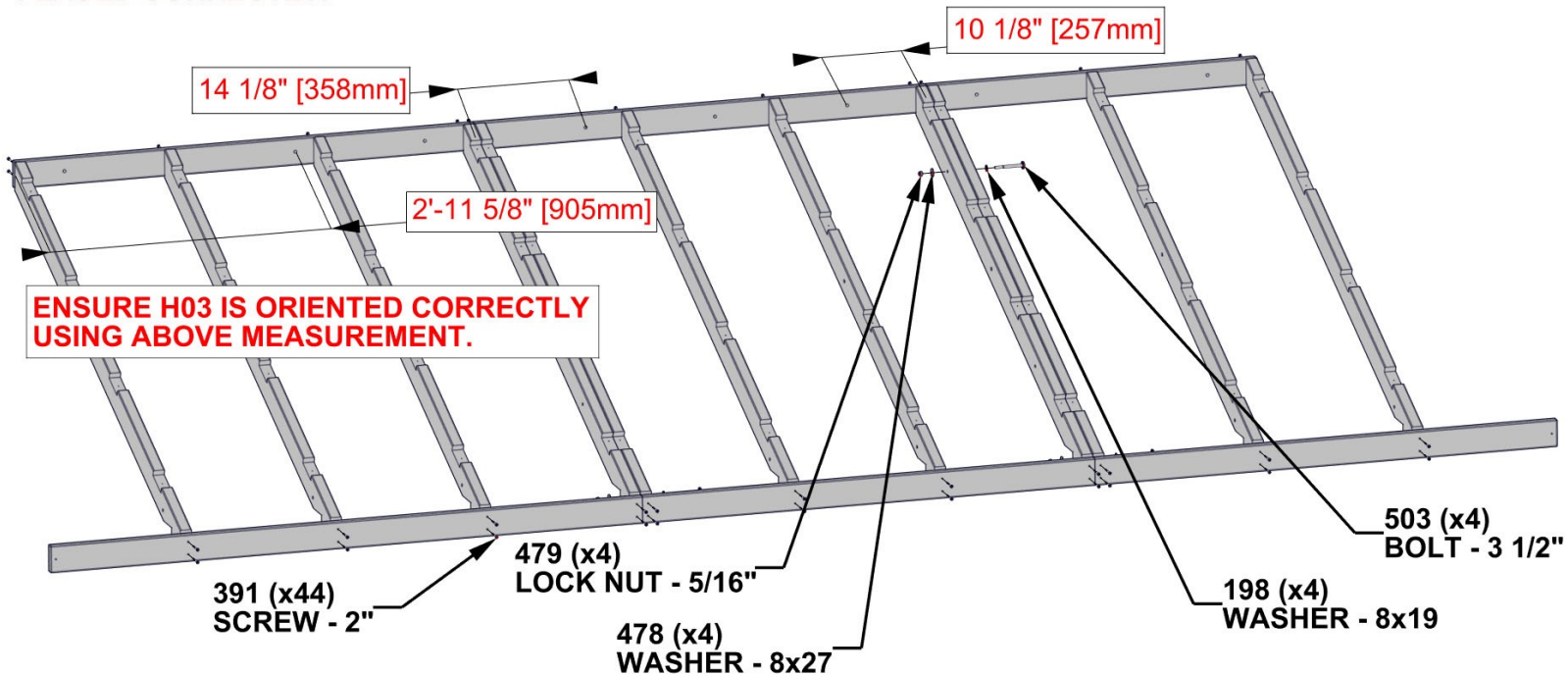
**E08** | RAFTER - W4L16865  
(x3) | 1 3/8"x3 3/8"x76 3/8" (36x86x1941)

## ROOF PANEL B



**ENSURE ALL RAFTERS ARE PLACED CORRECTLY.**

**ENSURE H07 IS ORIENTED CORRECTLY. CHECK MEASUREMENTS FROM BOLT HOLE TO END OF BOARD AND ORIENT AS SHOWN.**



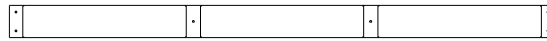
**ENSURE H03 IS ORIENTED CORRECTLY USING ABOVE MEASUREMENT.**

# STEP 27A - ROOF PANEL ASSEMBLY

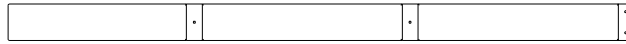
QTY	PART NUMBER	DESCRIPTION
60	H100391	SCREW PFH 8 X 2 BLK



**E03** | SHEATHING BOARD - W4L16860  
 (x4) | 1 3/8"x5 1/4"x75 1/8" (36x134x1907)

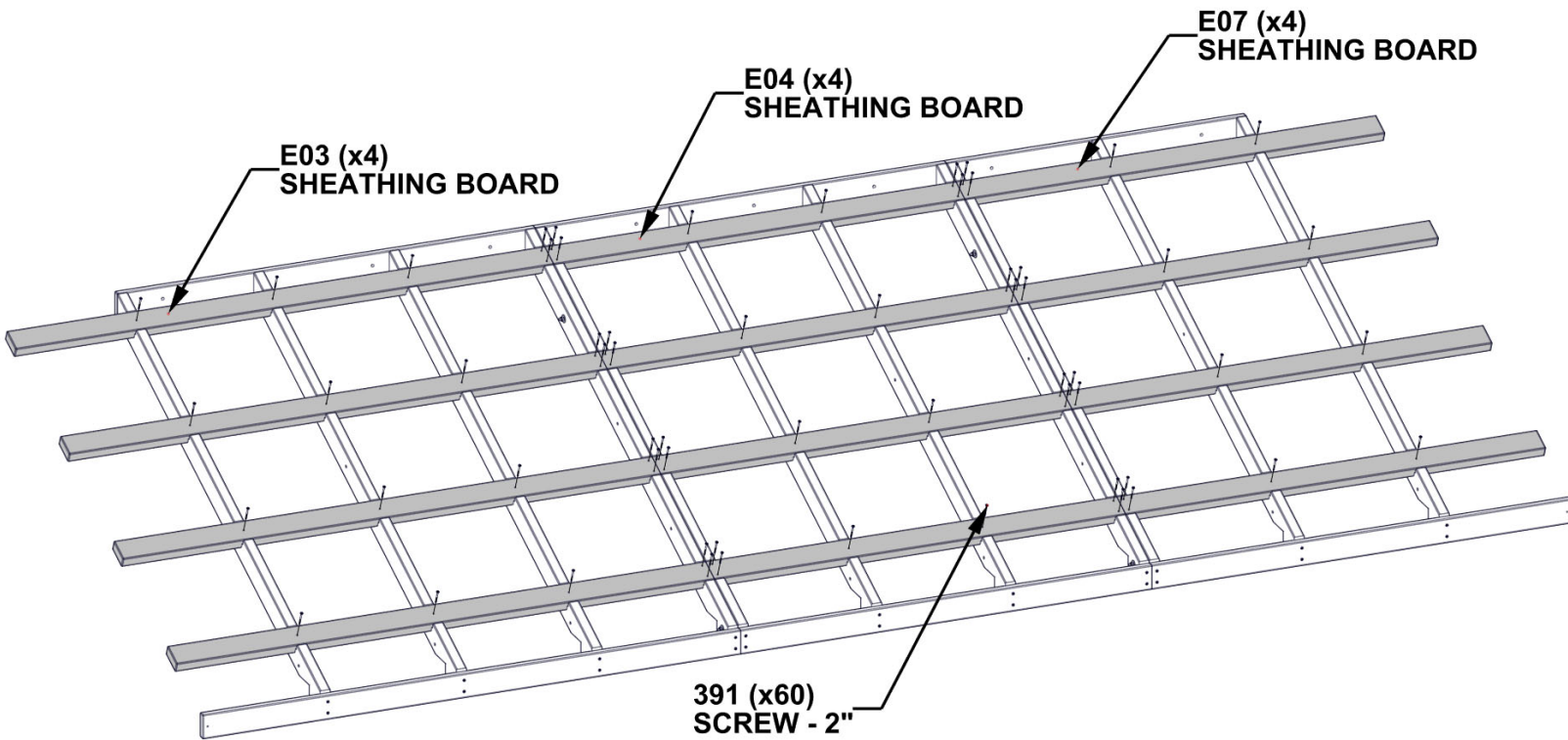


**E04** | SHEATHING BOARD - W4L16861  
 (x4) | 1 3/8"x3 3/8"x57 3/8" (36x86x1458)



**E07** | SHEATHING BOARD - W4L16864  
 (x4) | 1 3/8"x3 3/8"x58 5/8" (36x86x1490)

## ROOF PANEL B





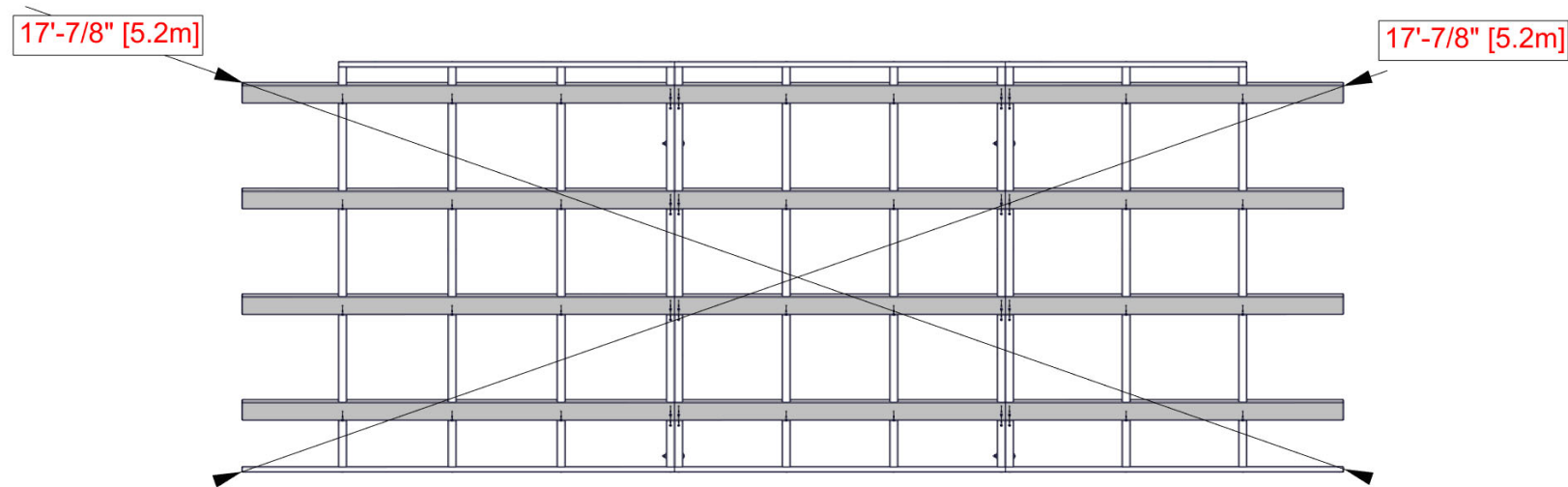
# STEP 27B - ROOF PANEL ASSEMBLY

## ROOF PANEL B

TIP: LOOSEN HARDWARE TO ADJUST FOR SQUARING IF NEEDED

**CRITICAL:**

- SQUARE UNIT BEFORE PROCEEDING TO NEXT STEPS.
- THE BELOW DIMENSIONS ARE CRITICAL TO THE FINAL ROOF ASSEMBLY.
- MEASUREMENTS SHOULD BE HELD WITHIN +/- 1/4".
- MEASUREMENTS OUTSIDE OF TOLERANCE WILL LEAD TO THE INABILITY TO ASSEMBLY THE ROOF.



# STEP 28 - ROOF PANEL ASSEMBLY

## ROOF PANEL B

USE THIS PAGE TO FAMILIARIZE YOURSELF WITH THE ROOF PANEL AND ASSIST YOU IN STEPS 29-31.

### TIPS:

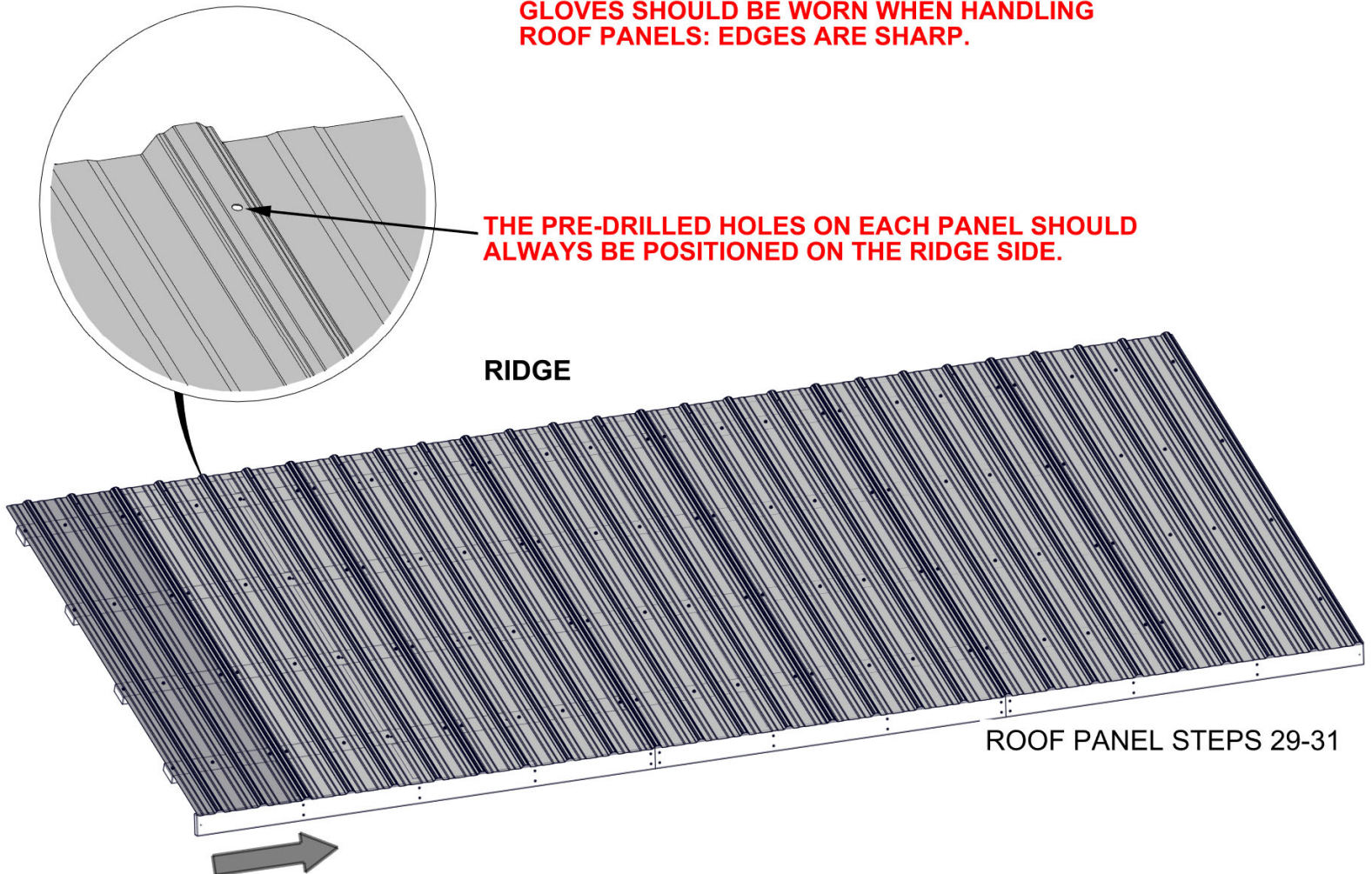
- REMOVE PROTECTIVE BLUE FILM
- START AT THE END INDICATED AND ASSEMBLE IN THE DIRECTION OF THE ARROW

**GLOVES SHOULD BE WORN WHEN HANDLING ROOF PANELS: EDGES ARE SHARP.**

**THE PRE-DRILLED HOLES ON EACH PANEL SHOULD ALWAYS BE POSITIONED ON THE RIDGE SIDE.**

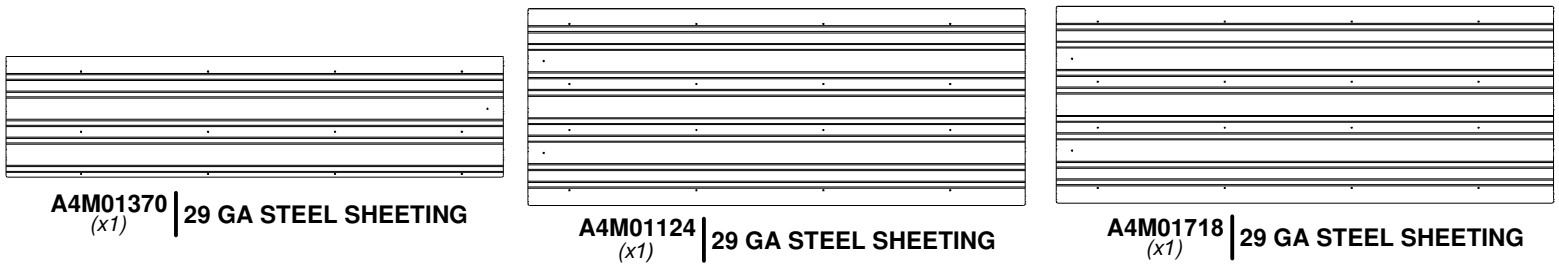
**RIDGE**

ROOF PANEL STEPS 29-31



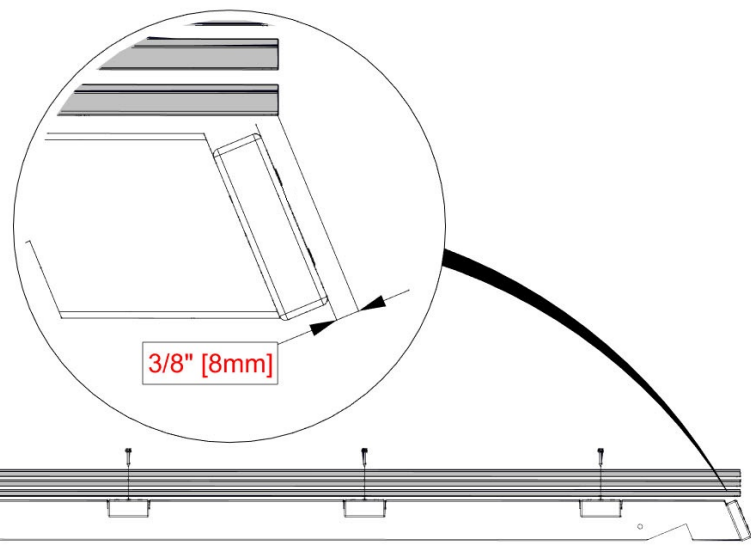
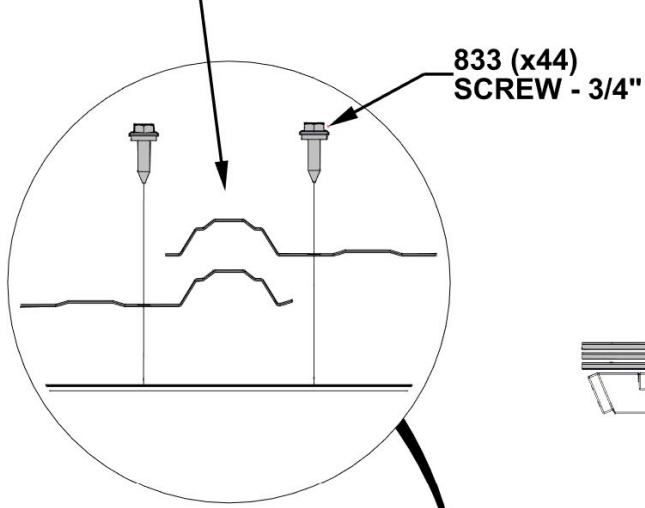
# STEP 29 - ROOF PANEL ASSEMBLY

QTY	PART NUMBER	DESCRIPTION
44	H100833	SCREW WOODGRIP 10-16 x 3/4

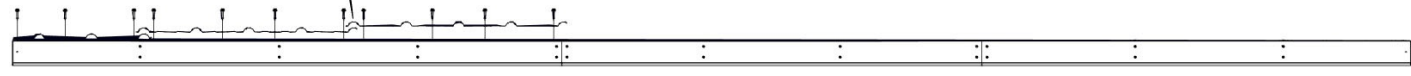


## ROOF PANEL B

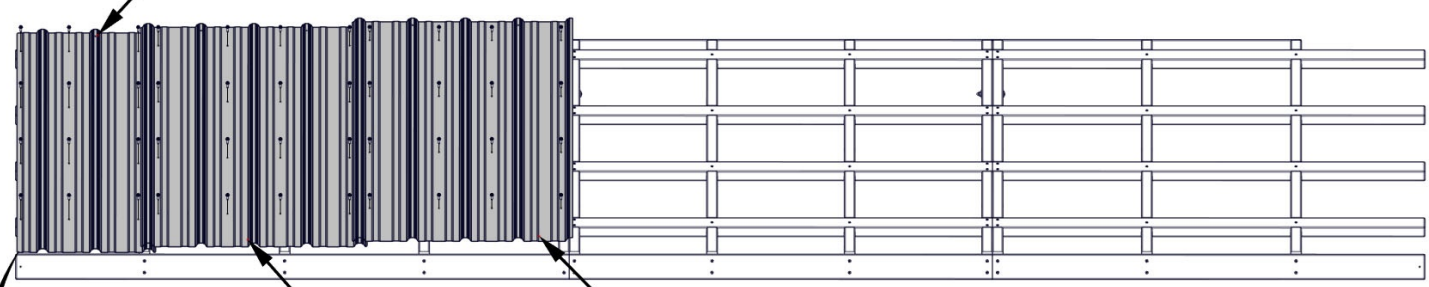
**NOTE RIB OVERLAP**



**MAKE SURE YOUR ROOF PANEL IS SQUARE BEFORE MOVING ON.**



1370 (x1)  
29 GA STEEL SHEETING

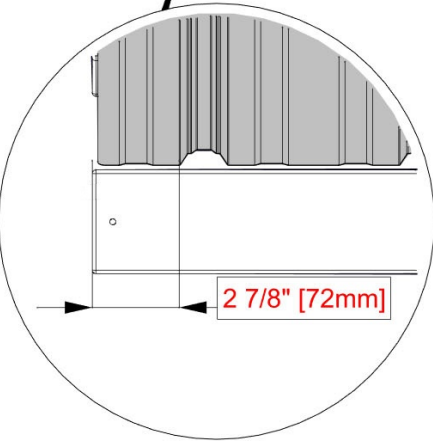


1124 (x1)  
29 GA STEEL SHEETING

1718 (x1)  
29 GA STEEL SHEETING

**ENSURE CORRECT PLACEMENT OF 1718 STEEL SHEETING.**

**HOLD SHEETING INSIDE OF FRAME MEASURING FROM RIB AS SHOWN.**

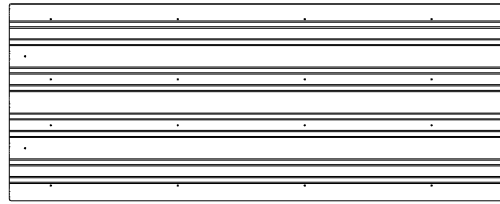


# STEP 30 - ROOF PANEL ASSEMBLY

QTY	PART NUMBER	DESCRIPTION
32	H100833	SCREW WOODGRIP 10-16 x 3/4

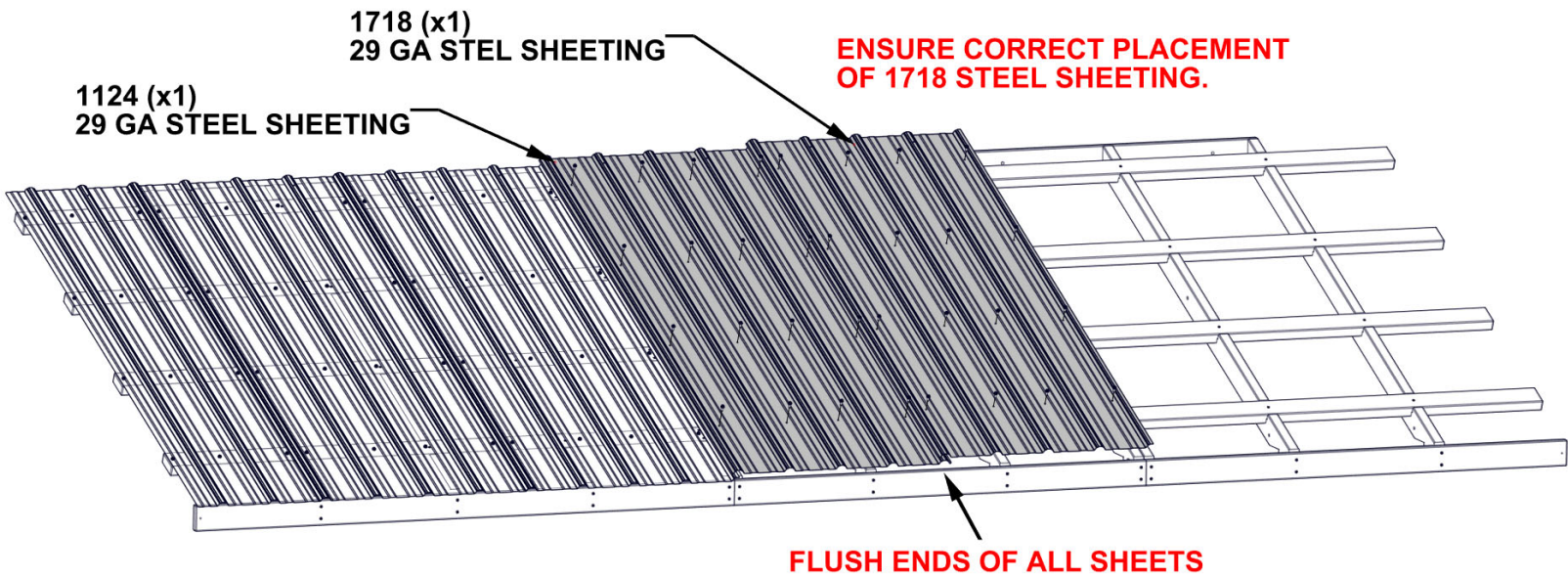
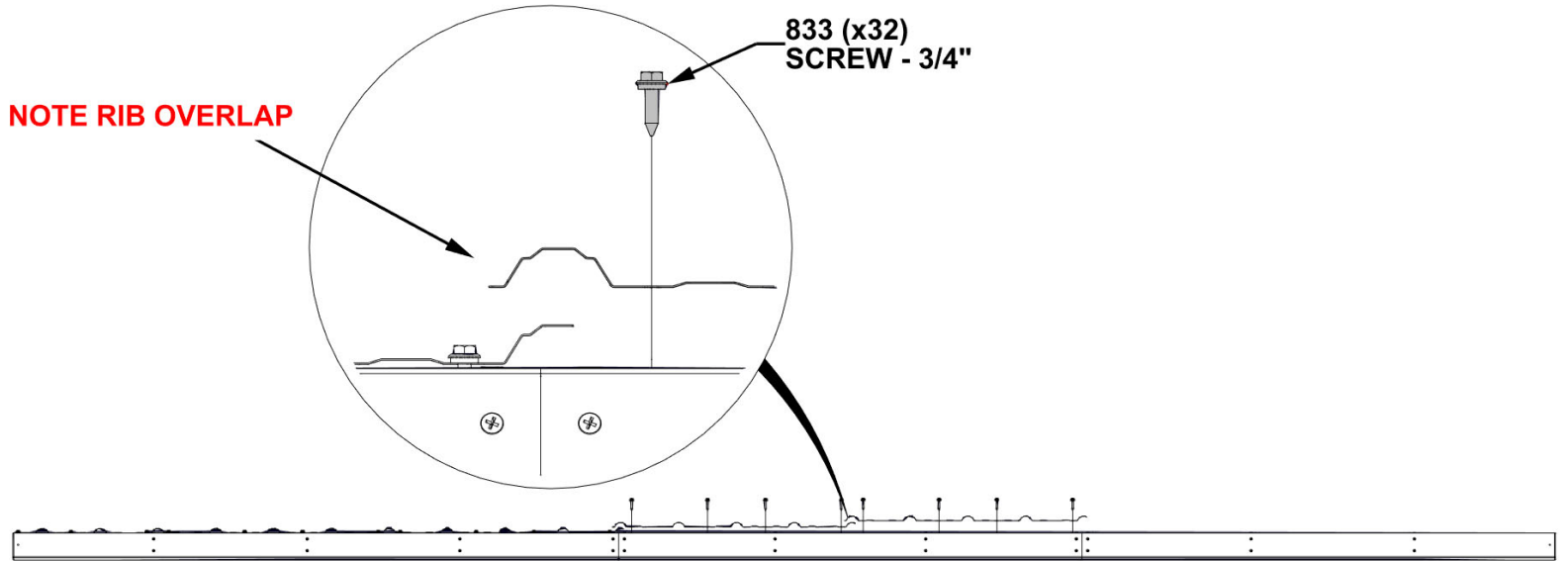


A4M01124 (x1) | 29 GA STEEL SHEETING



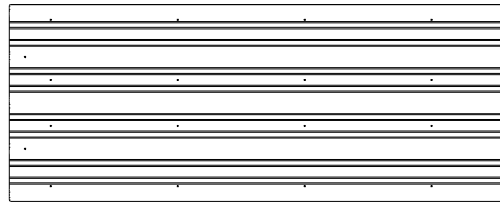
A4M01718 (x1) | 29 GA STEEL SHEETING

## ROOF PANEL B



# STEP 31 - ROOF PANEL ASSEMBLY

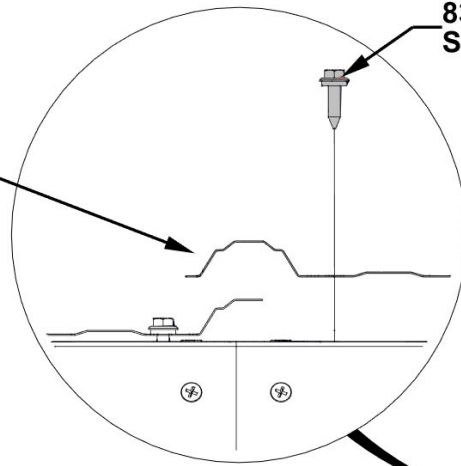
QTY	PART NUMBER	DESCRIPTION
32	H100833	SCREW WOODGRIP 10-16 x 3/4



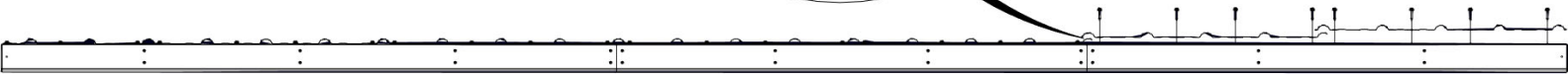
A4M01124  
(x2) | 29 GA STEEL SHEETING

## ROOF PANEL B

**NOTE RIB OVERLAP**



833 (x32)  
SCREW - 3/4"



1124 (x2)  
29 GA STEEL SHEETING



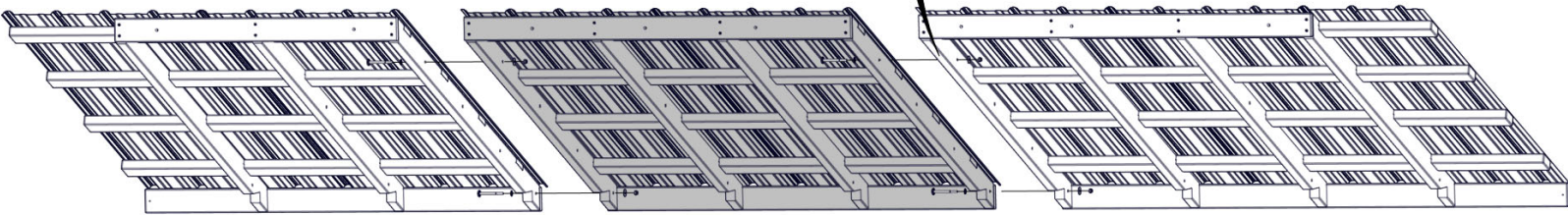
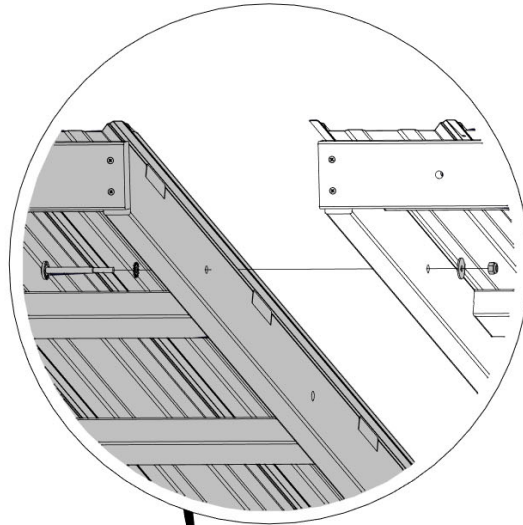
**FLUSH ENDS OF ALL SHEETS**

# STEP 32 - ROOF PANEL ASSEMBLY

## ROOF PANEL B

**SEPARATE ROOF PANEL AT THIS TIME FOR EASE OF ASSEMBLING.**

**REMOVE HARDWARE AND SET TO THE SIDE AS IT WILL BE USED AGAIN AFTER BOTH ROOF PANELS ARE INSTALLED.**



SECTION 3

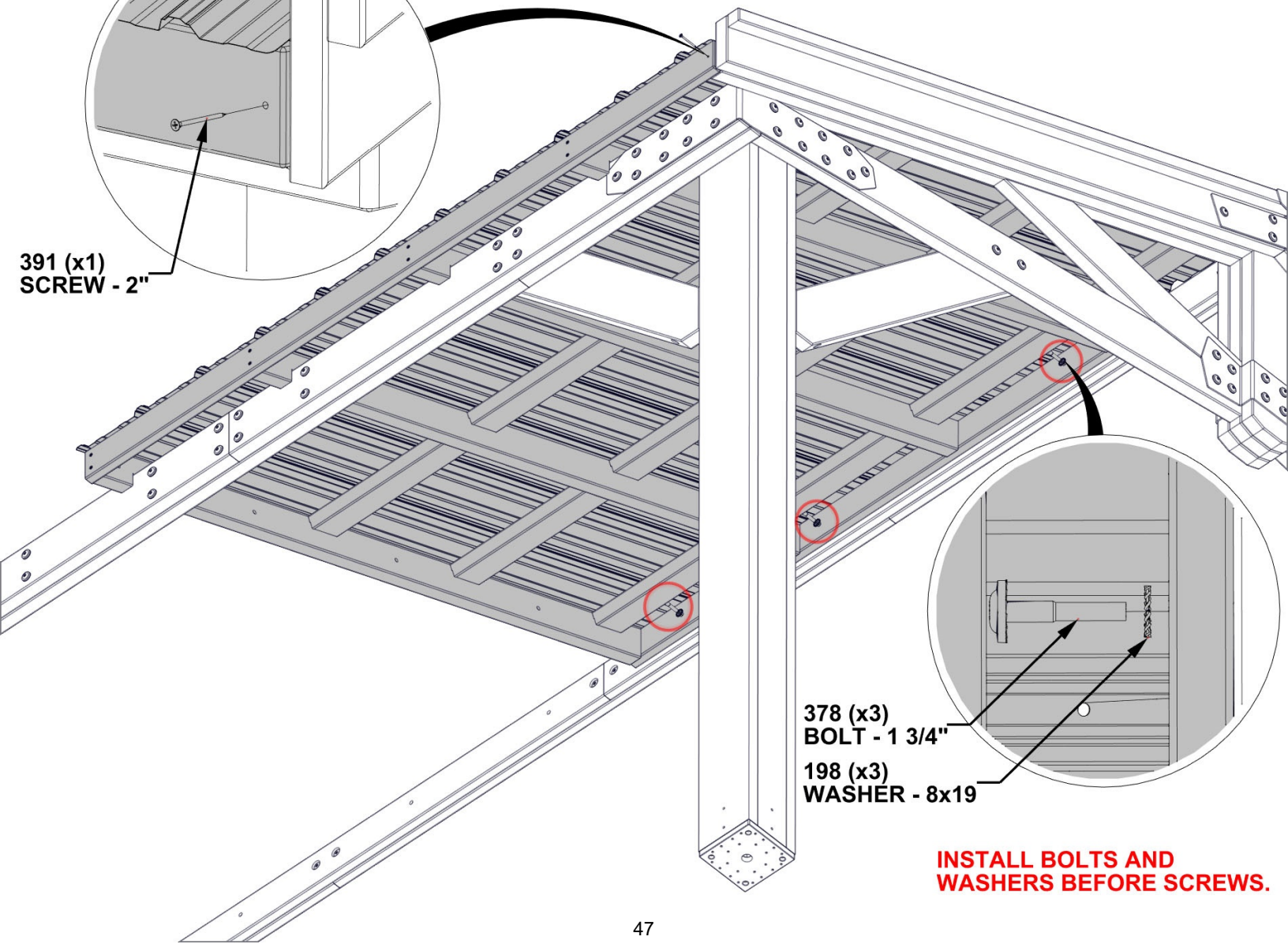
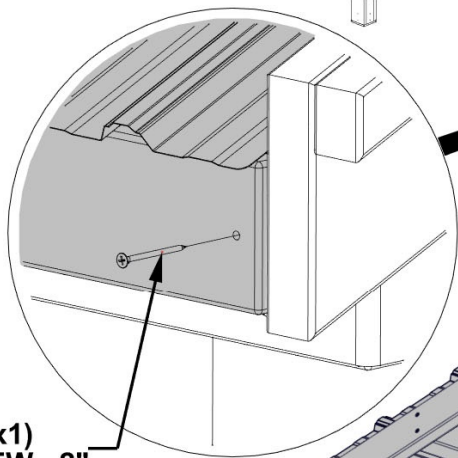
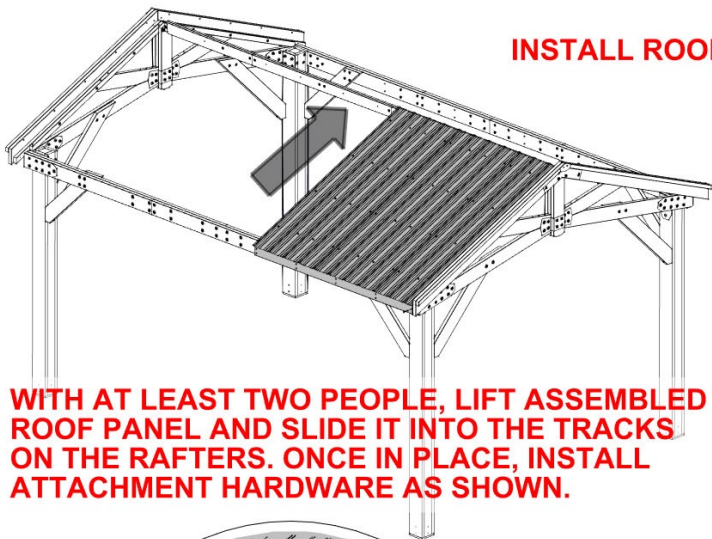
SECTION 2

SECTION 1

# STEP 33 - ROOF ASSEMBLY

QTY	PART NUMBER	DESCRIPTION
3	H100198	WASHER LOCK EXT 8X19 BLK
3	H100378	BOLT WH 5/16 X 1 3/4 BLK
1	H100391	SCREW PFH 8 X 2 BLK

## INSTALL ROOF PANEL A, SECTION 1



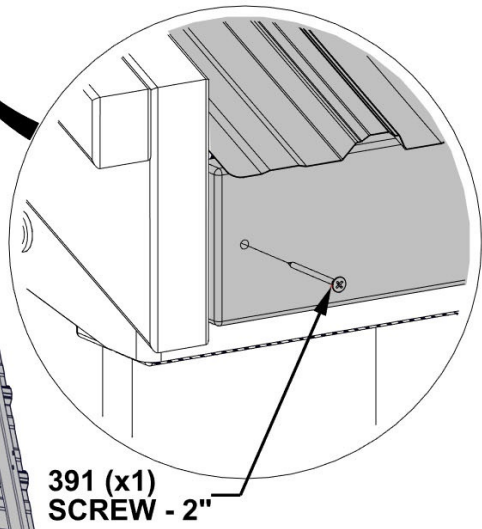
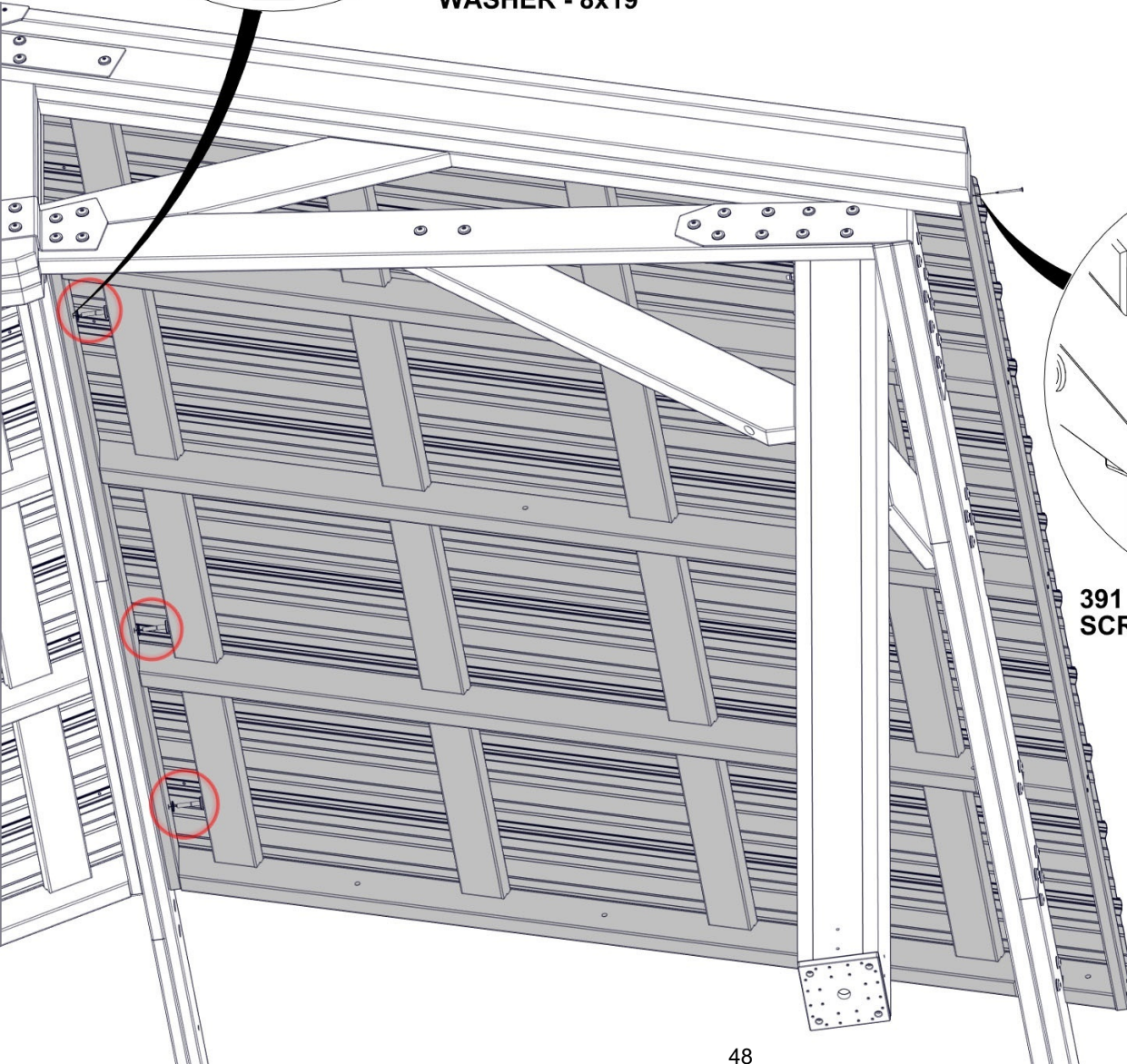
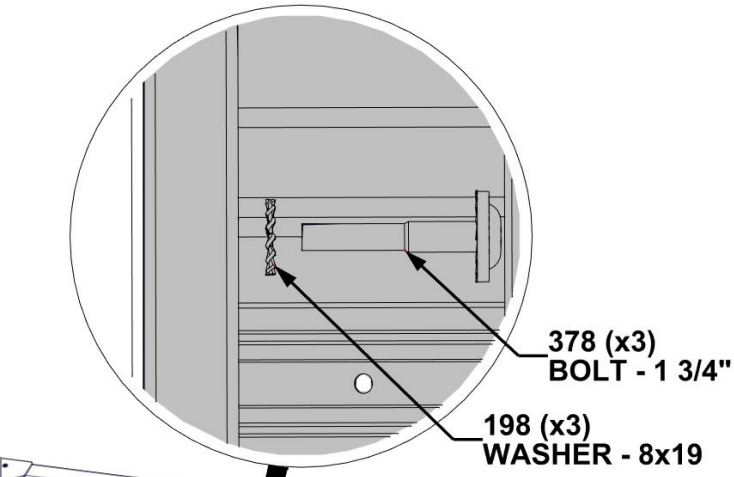
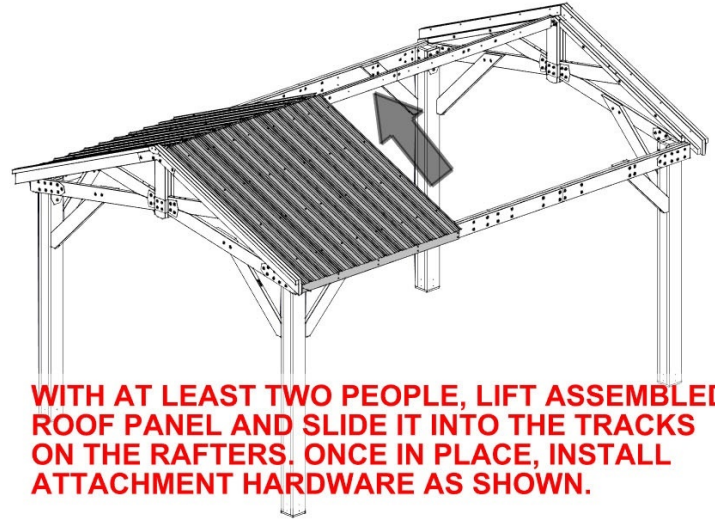
**INSTALL BOLTS AND WASHERS BEFORE SCREWS.**

# STEP 34 - ROOF ASSEMBLY

QTY	PART NUMBER	DESCRIPTION
3	H100198	WASHER LOCK EXT 8X19 BLK
3	H100378	BOLT WH 5/16 X 1 3/4 BLK
1	H100391	SCREW PFH 8 X 2 BLK

## INSTALL ROOF PANEL B, SECTION 1

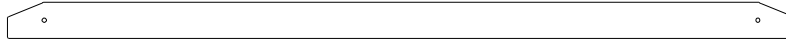
**INSTALL BOLTS AND WASHERS BEFORE SCREWS.**



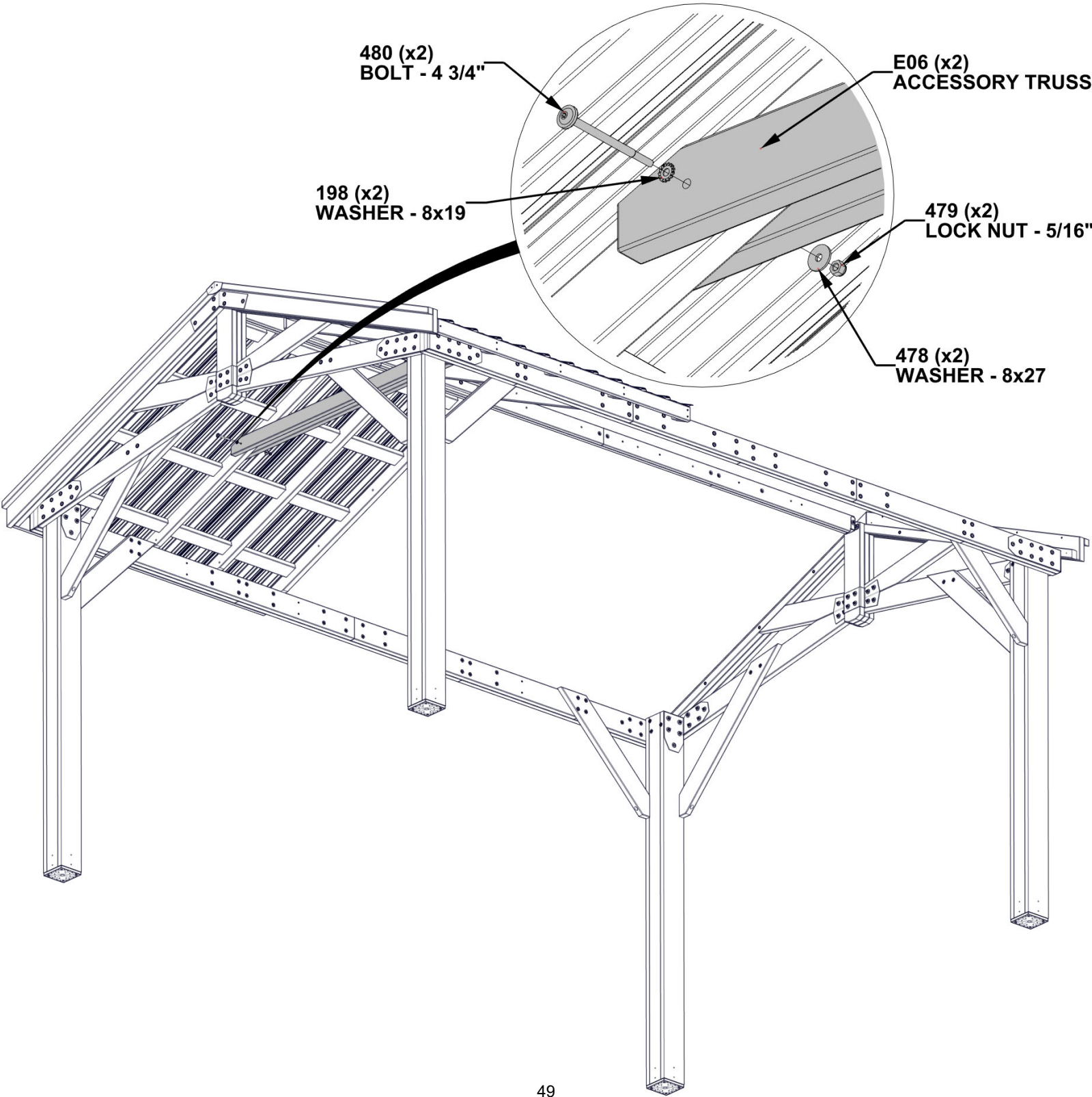


# STEP 35 - ROOF ASSEMBLY

QTY	PART NUMBER	DESCRIPTION
2	H100198	WASHER LOCK EXT 8X19 BLK
2	H100478	WASHER FLAT 8X27 BLK
2	H100479	NUT LOCK 5/16 BLK
2	H100480	BOLT WH 5/16 X 4 3/4 BLK



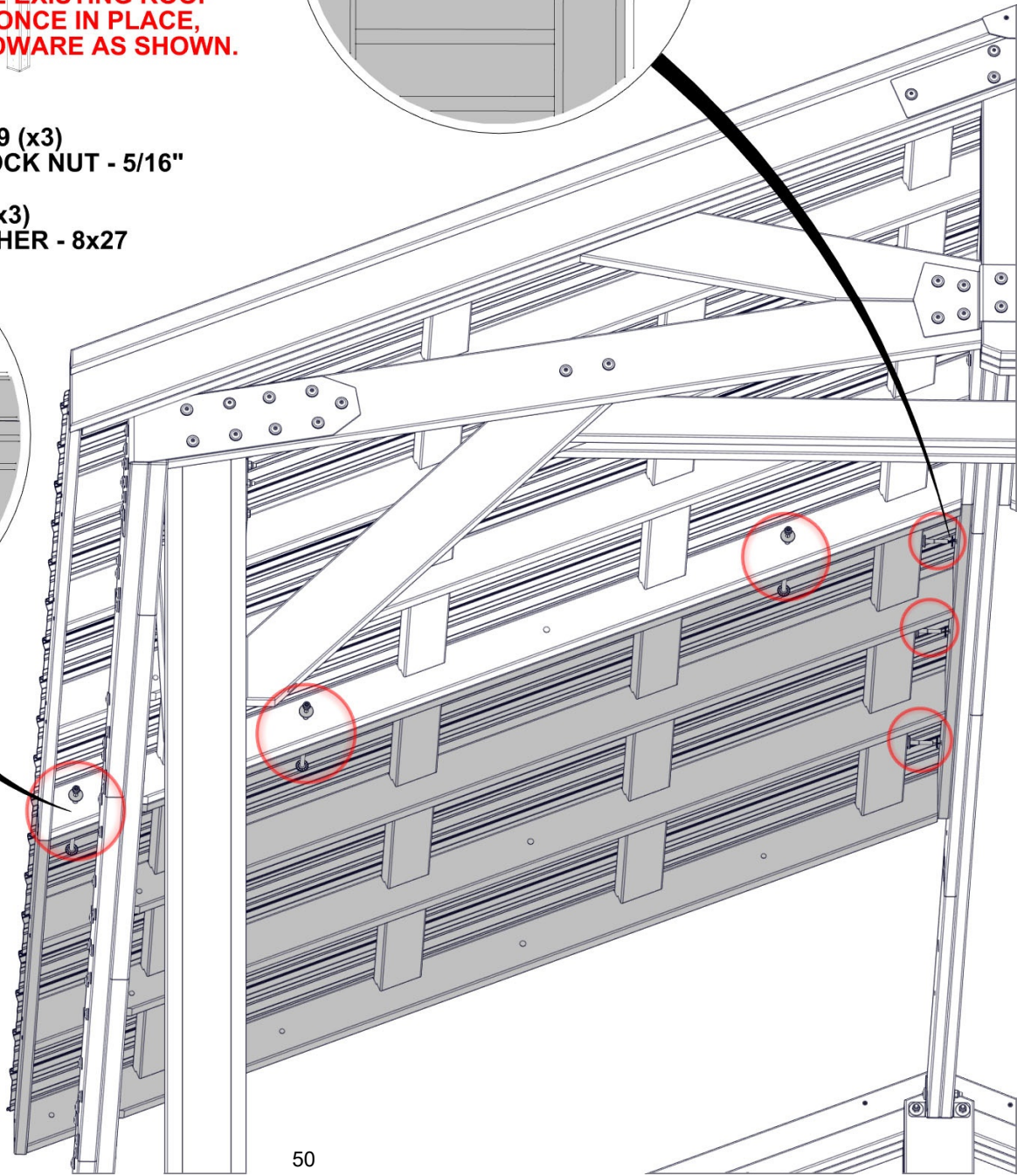
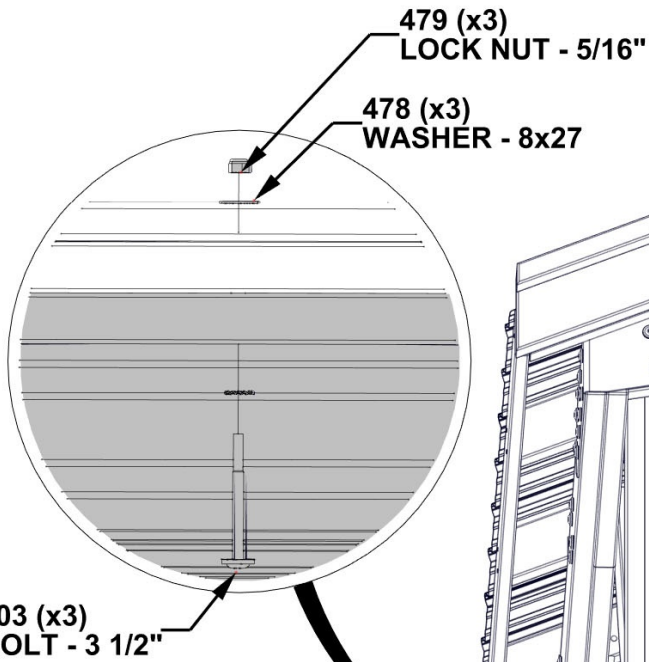
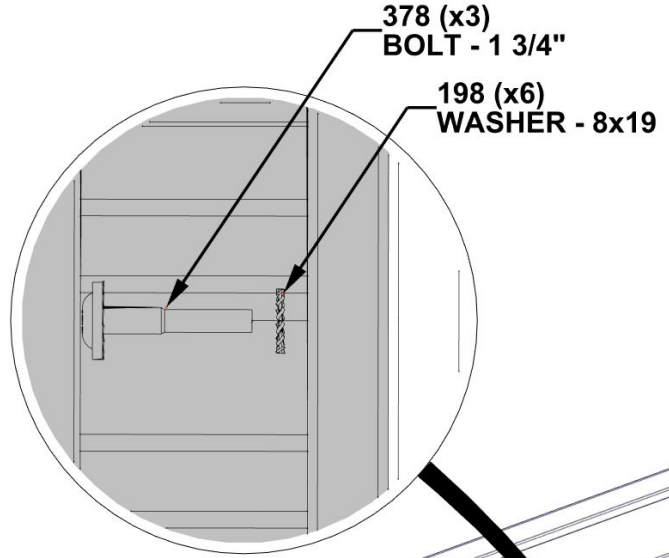
**E06** | ACCESSORY TRUSS - W4L16863  
 (x2) | 1 3/8"x3 3/8"x73 13/16" (36x86x1875)



# STEP 36 - ROOF ASSEMBLY

QTY	PART NUMBER	DESCRIPTION
6	H100198	WASHER LOCK EXT 8X19 BLK
3	H100378	BOLT WH 5/16 X 1 3/4 BLK
3	H100478	WASHER FLAT 8X27 BLK
3	H100479	NUT LOCK 5/16 BLK
3	H100503	BOLT WH 5/16 X 3 1/2 BLK

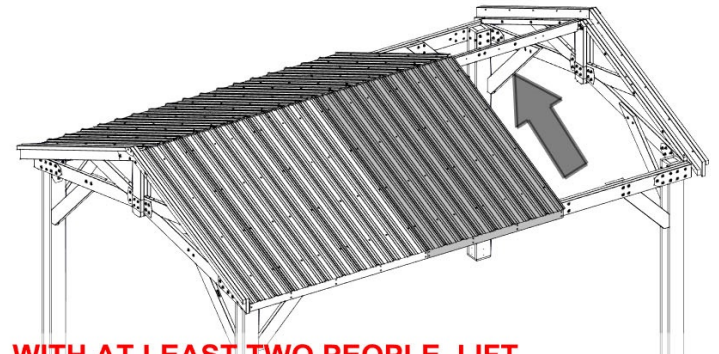
## INSTALL ROOF PANEL A, SECTION 2



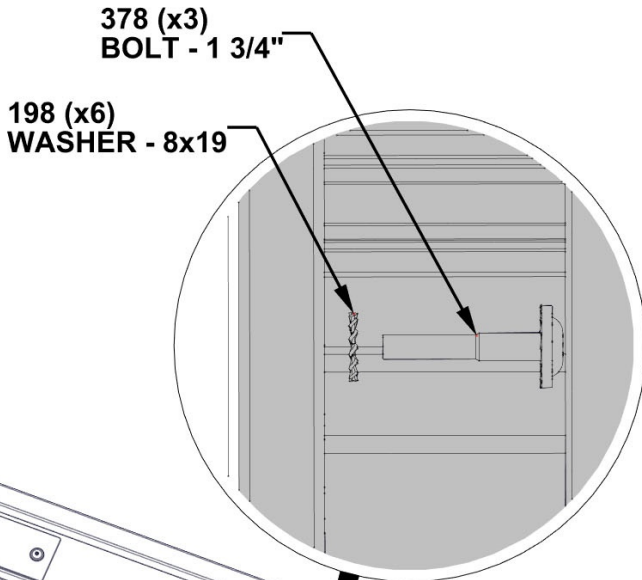
# STEP 37 - ROOF ASSEMBLY

QTY	PART NUMBER	DESCRIPTION
6	H100198	WASHER LOCK EXT 8X19 BLK
3	H100378	BOLT WH 5/16 X 1 3/4 BLK
3	H100478	WASHER FLAT 8X27 BLK
3	H100479	NUT LOCK 5/16 BLK
3	H100503	BOLT WH 5/16 X 3 1/2 BLK

## INSTALL ROOF PANEL B, SECTION 2

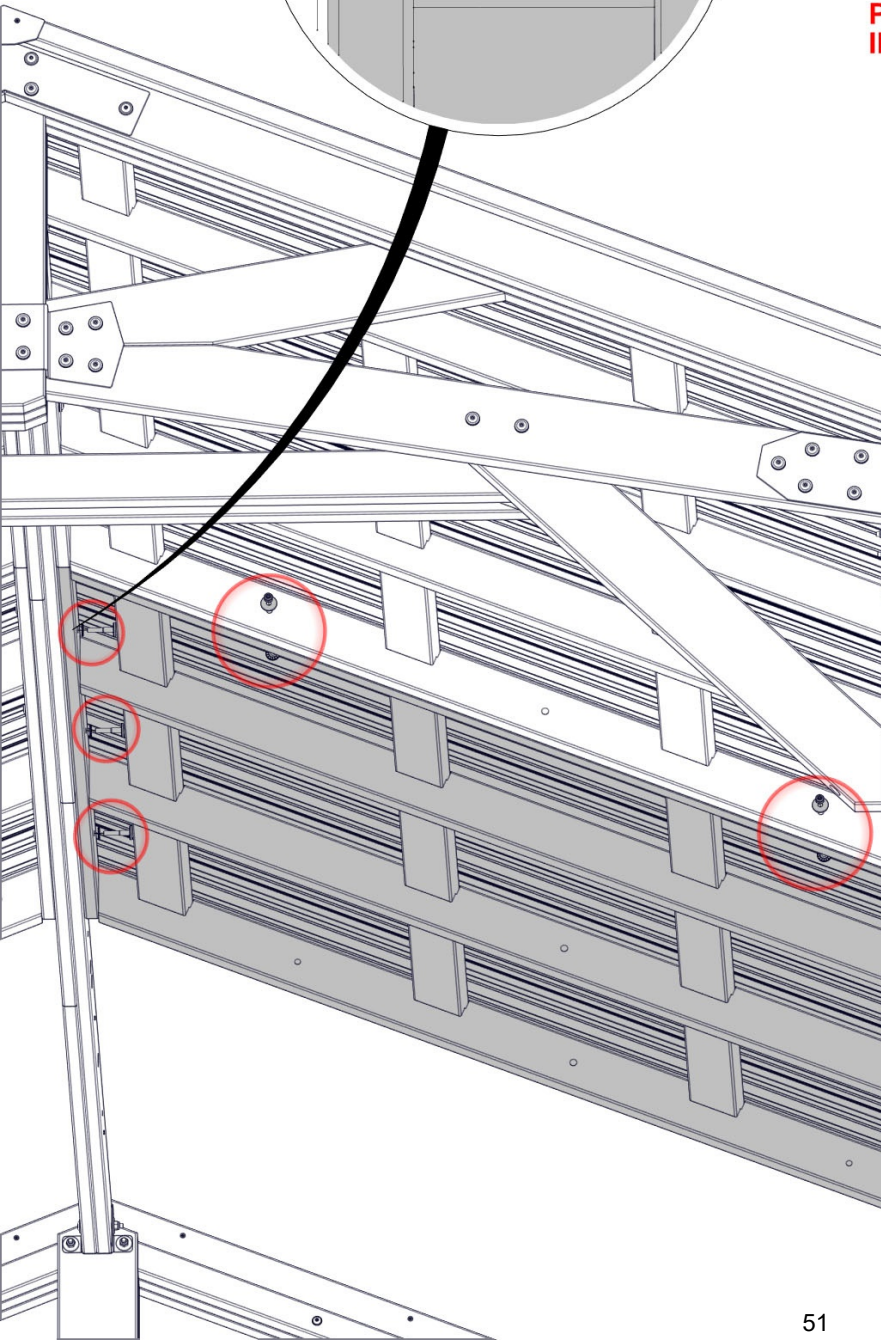


**WITH AT LEAST TWO PEOPLE, LIFT ASSEMBLED ROOF PANEL AND SLIDE IT INTO THE TRACKS ON THE RAFTERS. YOU MAY HAVE TO LIFT THE CORNER OF THE EXISTING ROOF PANEL TO GET IT STARTED. ONCE IN PLACE, INSTALL ATTACHMENT HARDWARE AS SHOWN.**



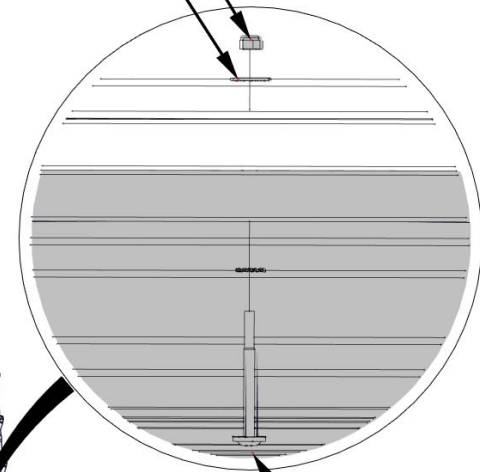
**198 (x6)  
WASHER - 8x19**

**378 (x3)  
BOLT - 1 3/4"**



**479 (x3)  
LOCK NUT - 5/16"**

**478 (x3)  
WASHER - 8x27**



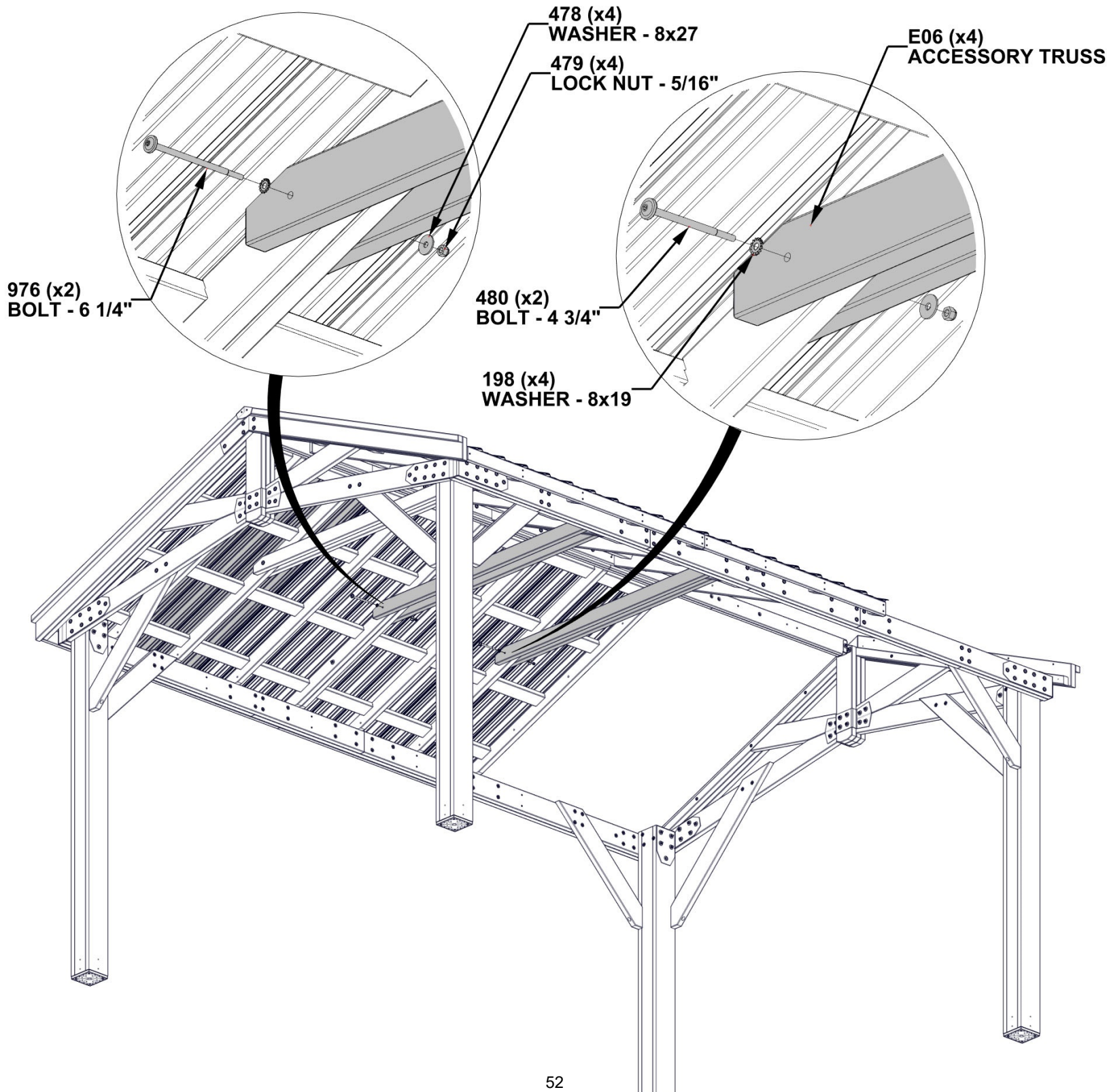
**503 (x3)  
BOLT - 3 1/2"**

# STEP 38 - ROOF ASSEMBLY

QTY	PART NUMBER	DESCRIPTION
4	H100198	WASHER LOCK EXT 8X19 BLK
4	H100478	WASHER FLAT 8X27 BLK
4	H100479	NUT LOCK 5/16 BLK
2	H100480	BOLT WH 5/16 X 4 3/4 BLK
2	H100976	BOLT WH 5/16 X 6 1/4 BLK



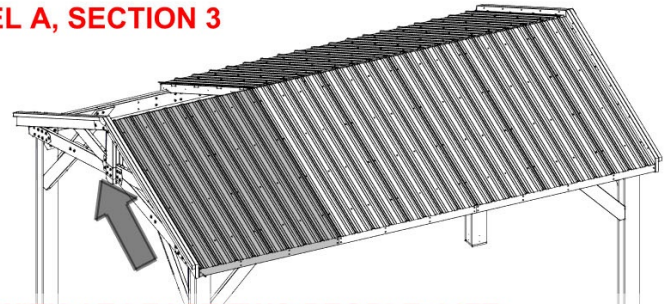
**E06 | ACCESSORY TRUSS - W4L16863**  
 (x4) 1 3/8"x3 3/8"x73 13/16" (36x86x1875)



# STEP 39 - ROOF ASSEMBLY

QTY	PART NUMBER	DESCRIPTION
6	H100198	WASHER LOCK EXT 8X19 BLK
2	H100378	BOLT WH 5/16 X 1 3/4 BLK
1	H100391	SCREW PFH 8 X 2 BLK
4	H100478	WASHER FLAT 8X27 BLK
4	H100479	NUT LOCK 5/16 BLK
4	H100503	BOLT WH 5/16 X 3 1/2 BLK

## INSTALL ROOF PANEL A, SECTION 3

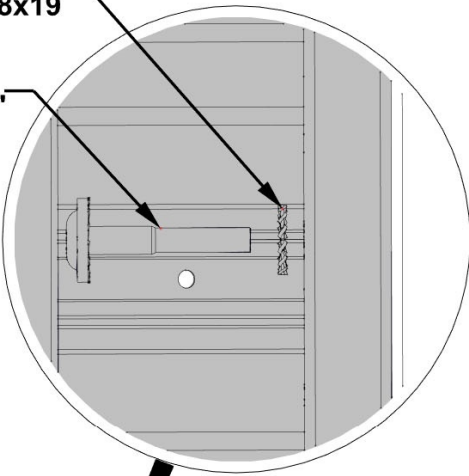


**WITH AT LEAST TWO PEOPLE, LIFT ASSEMBLED ROOF PANEL AND SLIDE IT INTO THE TRACKS ON THE RAFTERS. YOU MAY HAVE TO LIFT THE CORNER OF THE EXISTING ROOF PANEL TO GET IT STARTED. ONCE IN PLACE, INSTALL ATTACHMENT HARDWARE AS SHOWN.**

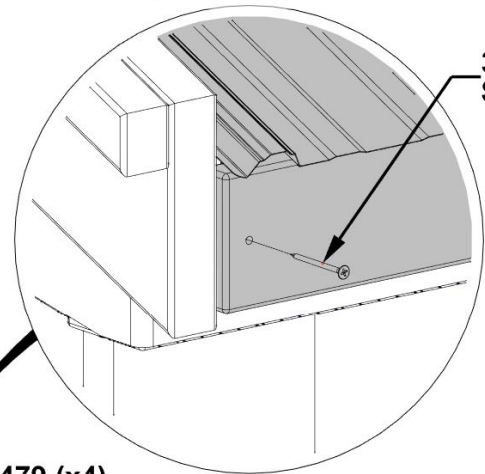
**INSTALL BOLTS AND WASHERS BEFORE SCREWS.**

198 (x6)  
WASHER - 8x19

378 (x2)  
BOLT - 1 3/4"

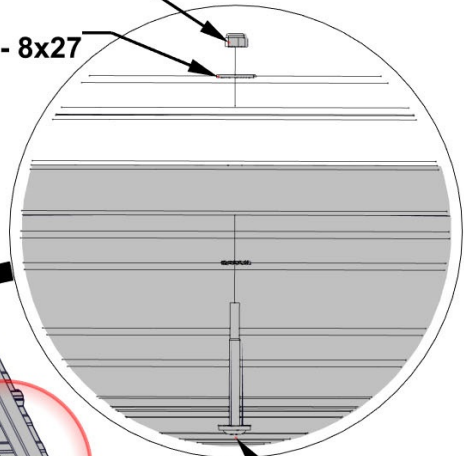


391 (x1)  
SCREW - 2"

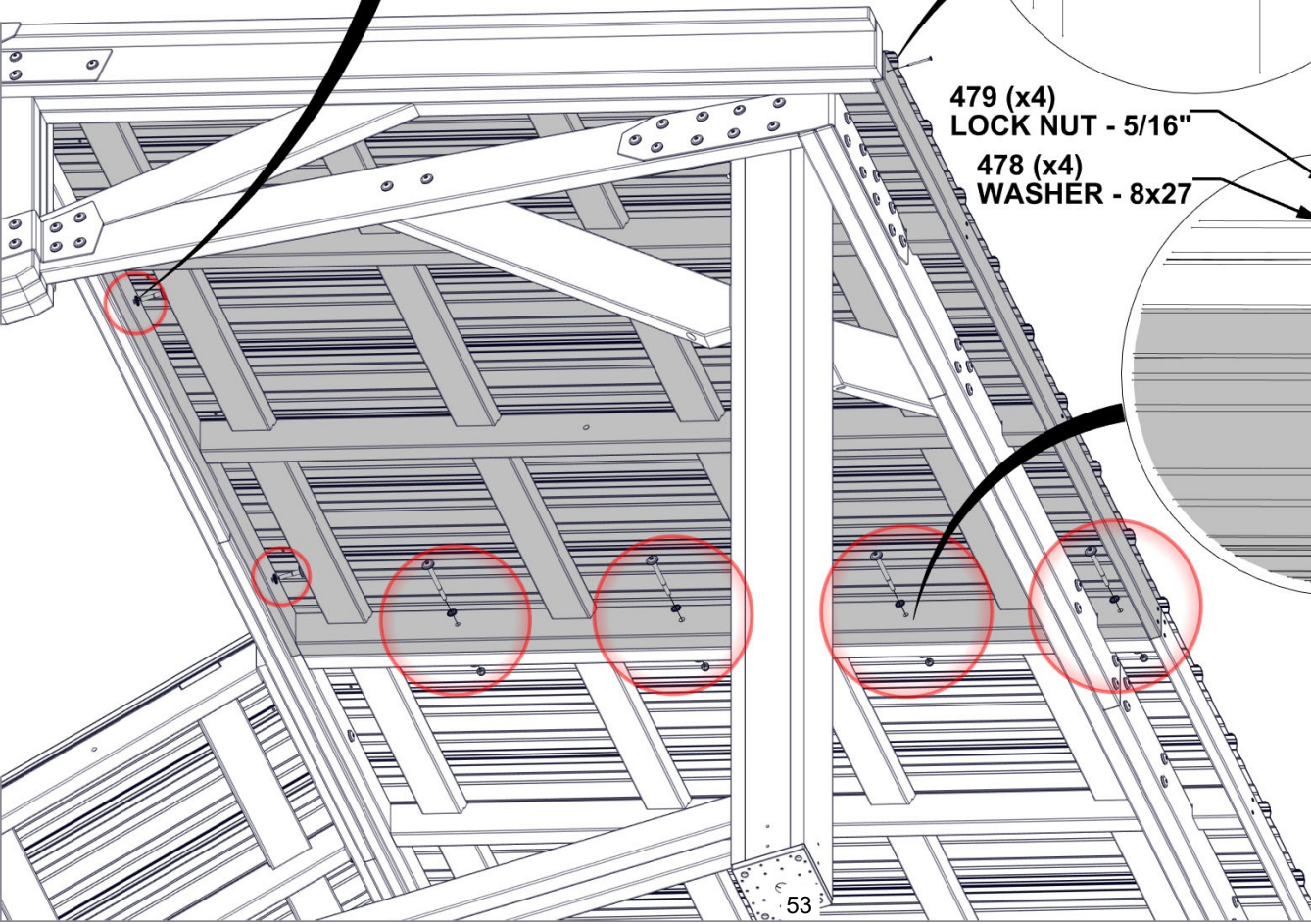


479 (x4)  
LOCK NUT - 5/16"

478 (x4)  
WASHER - 8x27



503 (x4)  
BOLT - 3 1/2"



# STEP 40 - ROOF ASSEMBLY

QTY	PART NUMBER	DESCRIPTION
6	H100198	WASHER LOCK EXT 8X19 BLK
2	H100378	BOLT WH 5/16 X 1 3/4 BLK
1	H100391	SCREW PFH 8 X 2 BLK
4	H100478	WASHER FLAT 8X27 BLK
4	H100479	NUT LOCK 5/16 BLK
4	H100503	BOLT WH 5/16 X 3 1/2 BLK

## INSTALL ROOF PANEL B, SECTION 3



378 (x2)  
BOLT - 1 3/4"

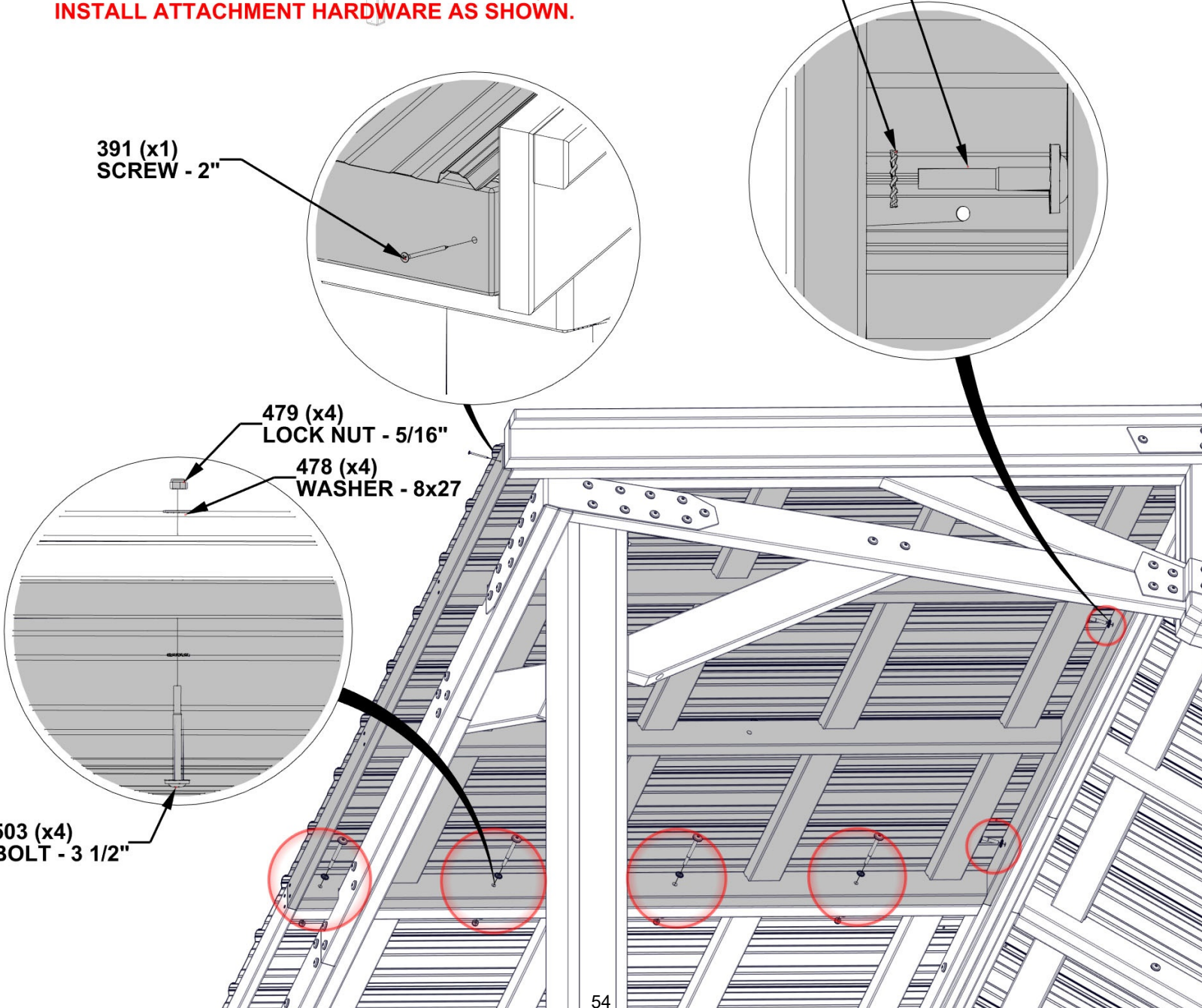
198 (x6)  
WASHER - 8x19

391 (x1)  
SCREW - 2"

479 (x4)  
LOCK NUT - 5/16"

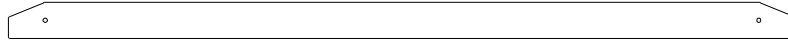
478 (x4)  
WASHER - 8x27

503 (x4)  
BOLT - 3 1/2"

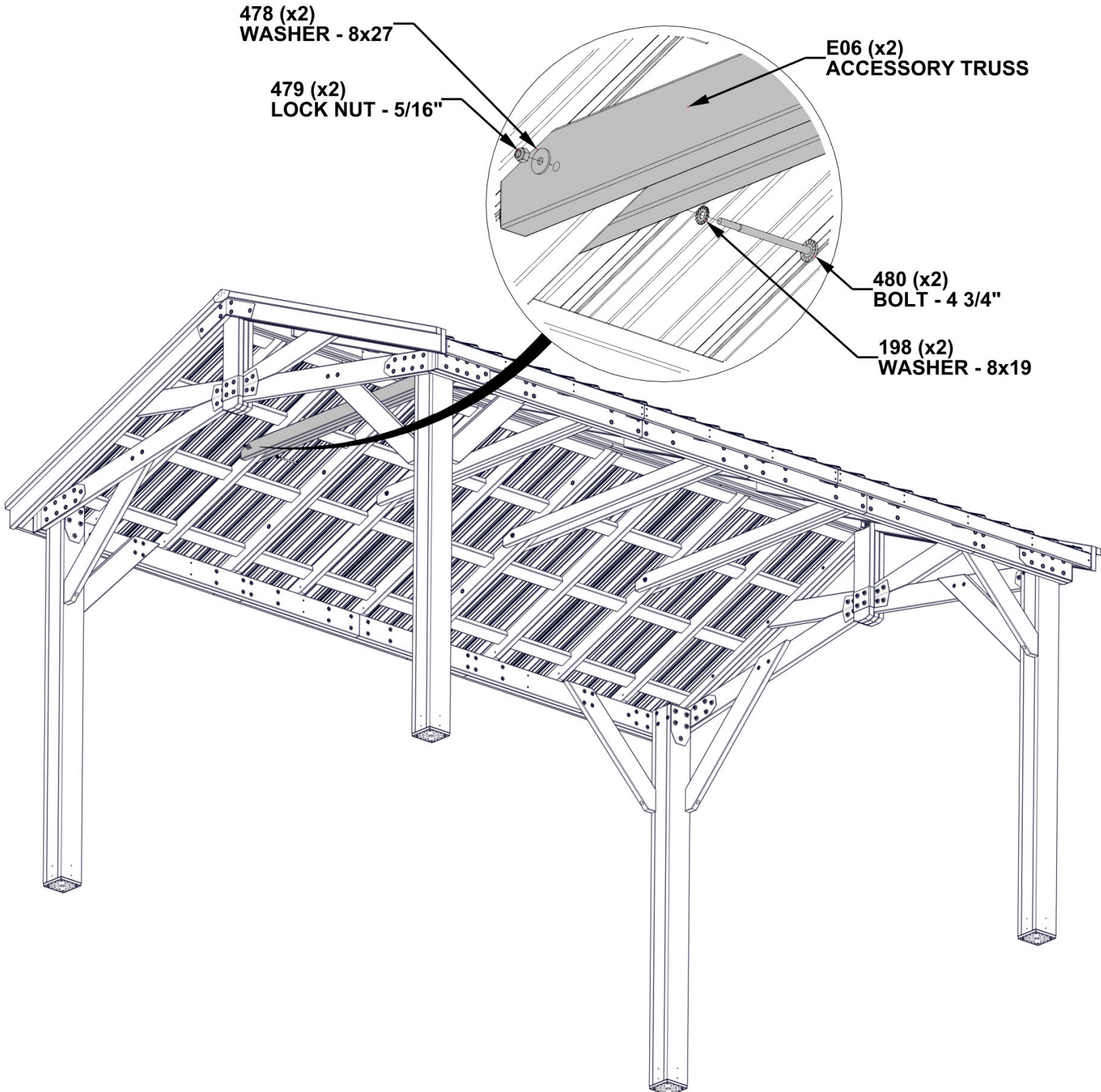


# STEP 41 - ROOF ASSEMBLY

QTY	PART NUMBER	DESCRIPTION
2	H100198	WASHER LOCK EXT 8X19 BLK
2	H100478	WASHER FLAT 8X27 BLK
2	H100479	NUT LOCK 5/16 BLK
2	H100480	BOLT WH 5/16 X 4 3/4 BLK



**E06** | ACCESSORY TRUSS - W4L16863  
 (x2) | 1 3/8"x3 3/8"x73 13/16" (36x86x1875)



# STEP 42 - GAZEBO ASSEMBLY

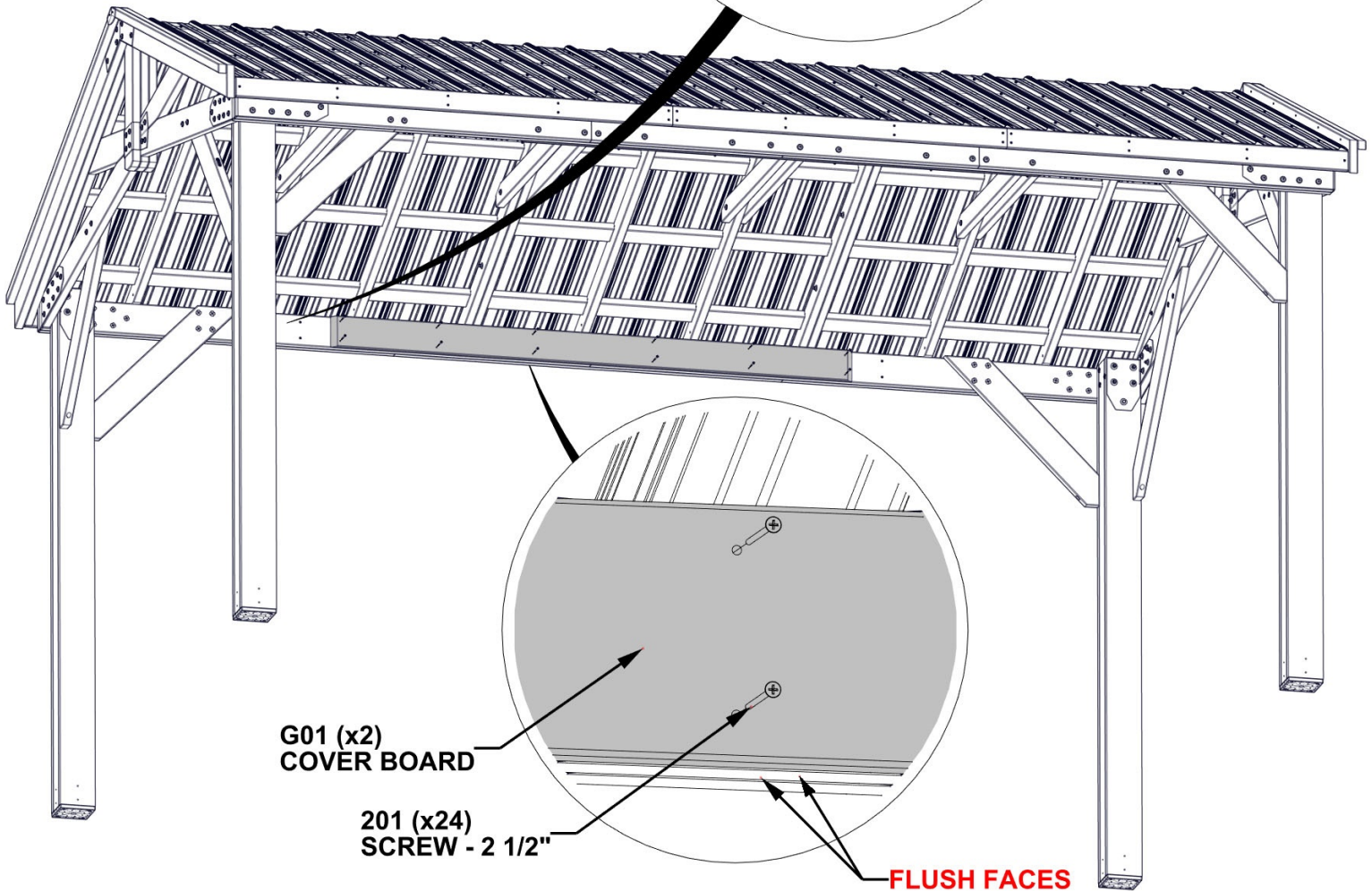
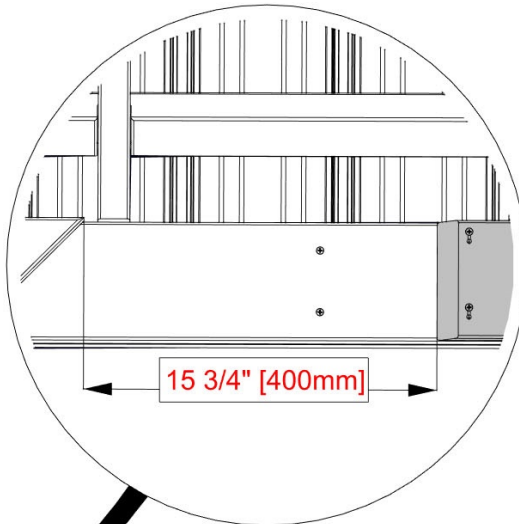
QTY	PART NUMBER	DESCRIPTION
24	H100201	SCREW PFH 8 X 2 1/2 BLK



**G01** COVER BOARD - W4L16917  
(x2) 1"x5 1/4"x89 1/2" (24x134x2274)

REPEAT FOR OTHER SIDE OF GAZEBO.

FOR BOARD PLACEMENT, MEASURE AS SHOWN FROM CORNER OF CORBEL. USE PILOT HOLES TO ATTACH BOARD.



G01 (x2)  
COVER BOARD

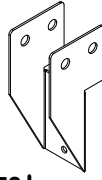
201 (x24)  
SCREW - 2 1/2"

FLUSH FACES



# STEP 43 - ROOF ASSEMBLY

QTY	PART NUMBER	DESCRIPTION
14	H100488	BOLT WH 1/4 X 2 BLK
14	H100630	WASHER FLAT 8x19 BLK
14	H100653	NUT LOCK 1/4 BLK
28	H100823	SCREW PWH 8 X 1 1/2 BLK



**A4M01752** | RAFTER CLIP  
(x14)

630 (x14)  
WASHER - 8x19

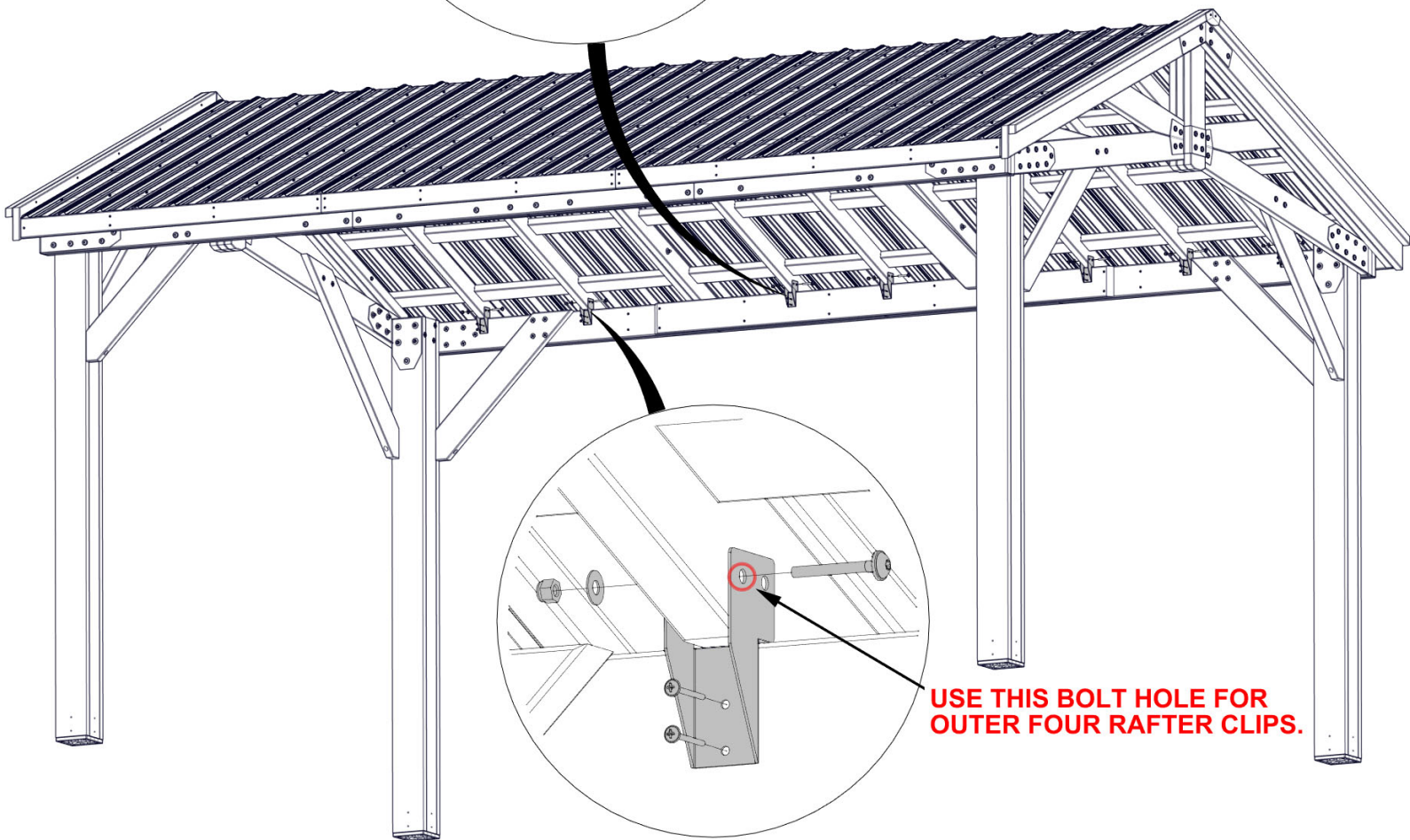
653 (x14)  
LOCK NUT - 1/4"

823 (x28)  
SCREW - 1 1/2"

488 (x14)  
BOLT - 2"

**USE THIS BOLT HOLE FOR  
CENTER THREE RAFTER CLIPS.**

1752 (x14)  
RAFTER CLIP



# STEP 44 - ROOF ASSEMBLY

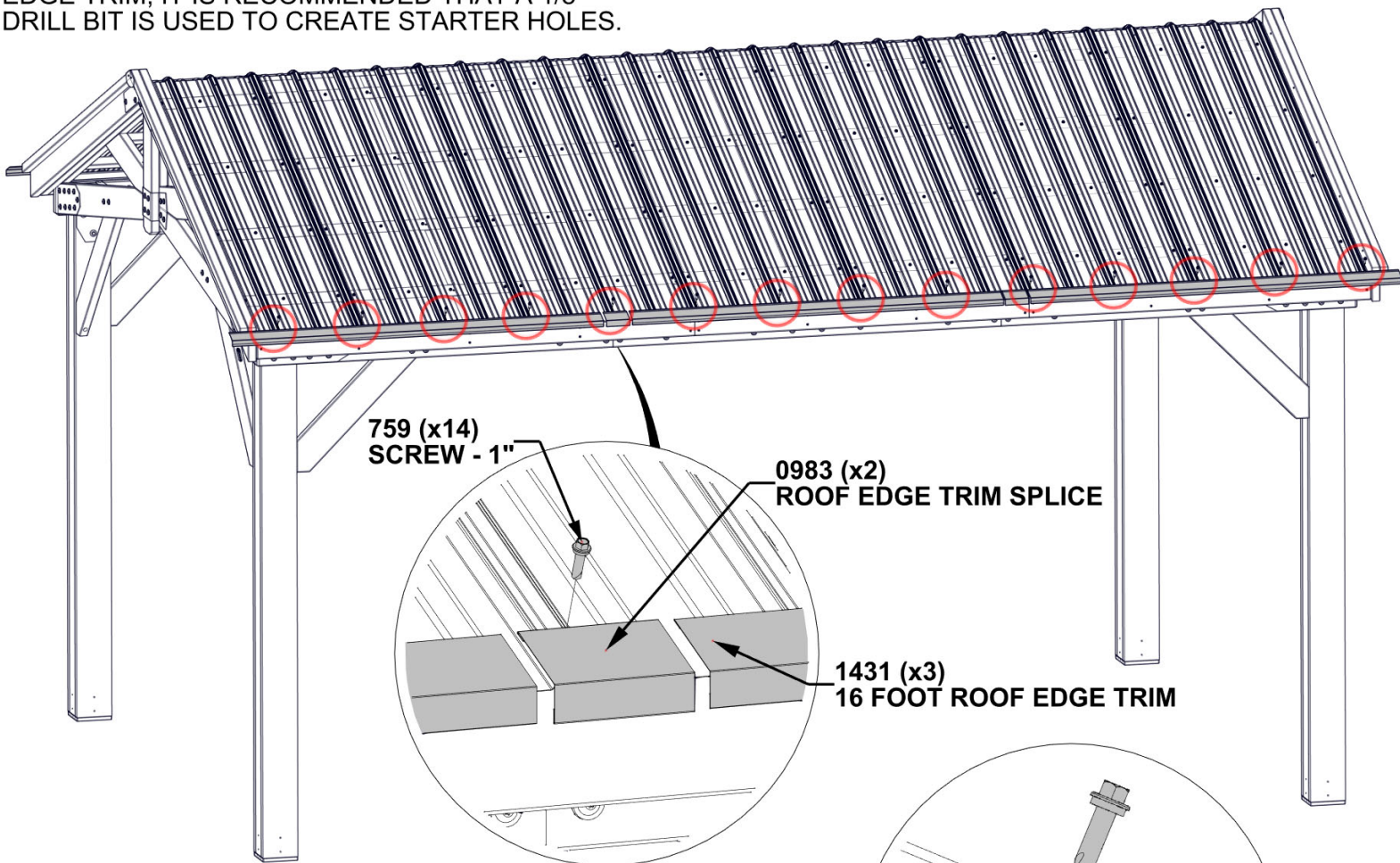
QTY	PART NUMBER	DESCRIPTION
28	H100759	SCREW SELF TAPPING 1/4x1



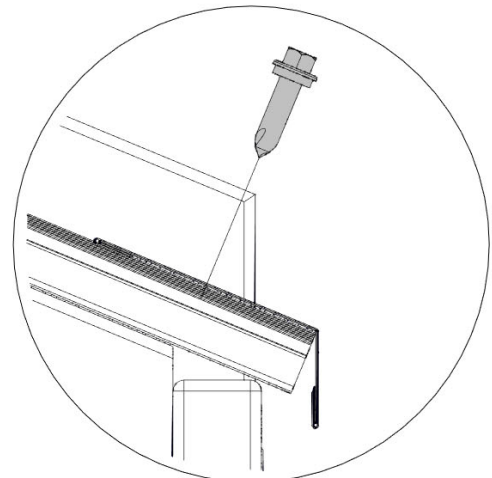
COMPLETE ON BOTH SIDES.

SCREWS GO THROUGH EDGE TRIM INTO THE TOP OF THE RIBS IN THE APPROXIMATE LOCATIONS SHOWN.

DUE TO MULTIPLE LAYERS OF METAL ON THE EDGE TRIM, IT IS RECOMMENDED THAT A 1/8" DRILL BIT IS USED TO CREATE STARTER HOLES.



SLIDE TRIM INTO SPLICE ENSURING THAT BOTH ENDS ARE FLUSH WITH THE EDGES OF ROOF PANELS.

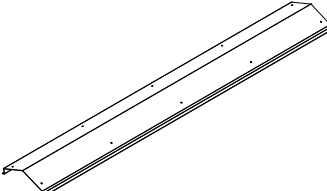


SIDE VIEW

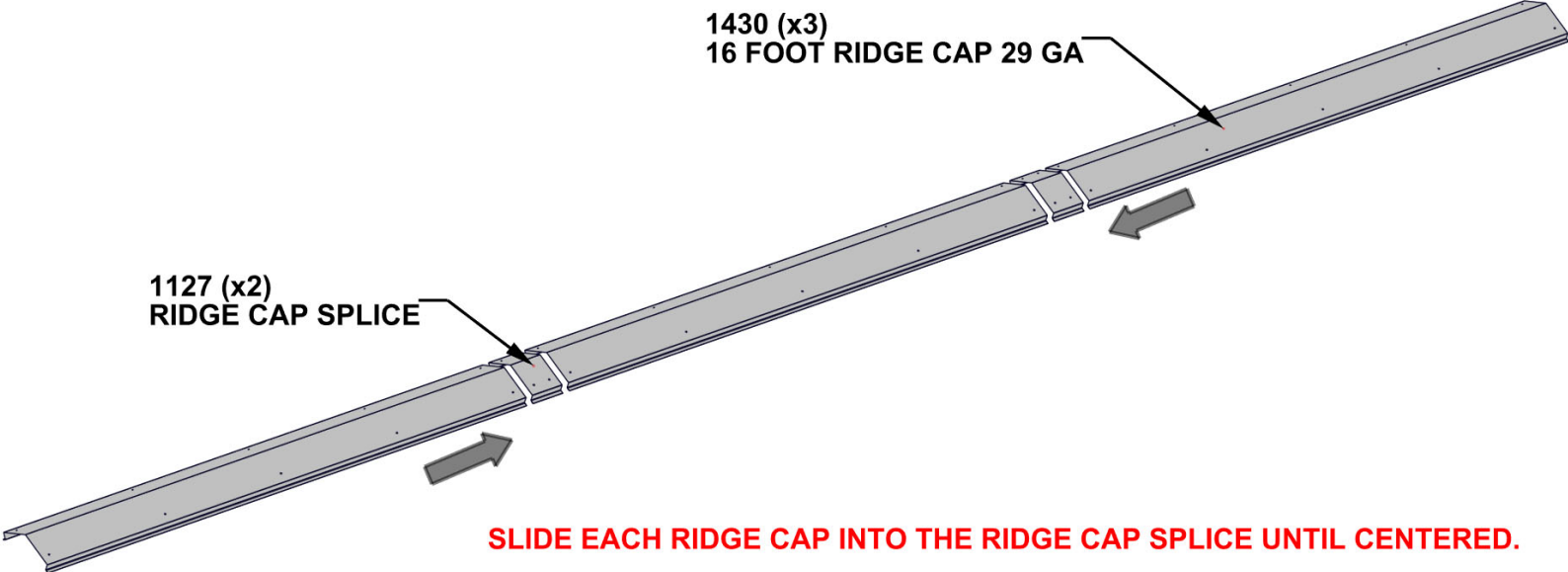
# STEP 45 - ROOF ASSEMBLY



A4M01127  
(x2) | RIDGE CAP SPLICE



A4M01430  
(x3) | 16 FOOT RIDGE CAP 29 GA

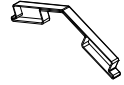


# STEP 46 - ROOF ASSEMBLY

QTY	PART NUMBER	DESCRIPTION
30	H100833	SCREW WOODGRIP 10-16 x 3/4



**J09** | RIDGE CAP STIFFENER - W4L16876  
(x4) | 1"x2 3/8"x53 7/8" (24x60x1367)

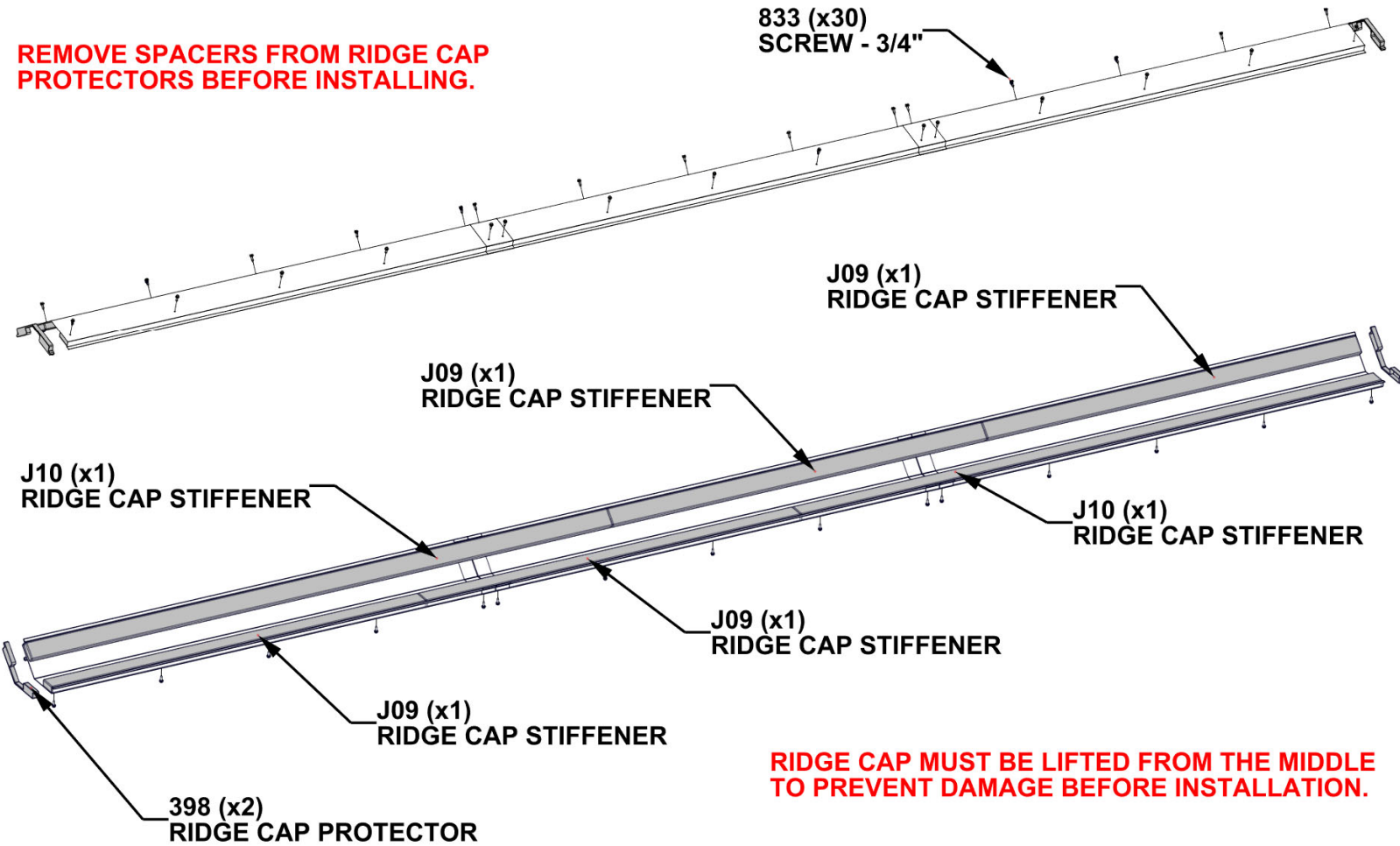


**J10** | RIDGE CAP STIFFENER - W4L16877  
(x2) | 1"x2 3/8"x83 1/2" (24x60x2121)

**A6P00398** | RIDGE CAP PROTECTOR  
(x2)

**ASSEMBLE BY ALIGNING THE HOLES ON EACH RIDGE CAP TO THE HOLES IN THE RIDGE CAP SPLICE.  
FINAL LENGTH - 15'-11 5/16" [4859mm]**

**REMOVE SPACERS FROM RIDGE CAP PROTECTORS BEFORE INSTALLING.**



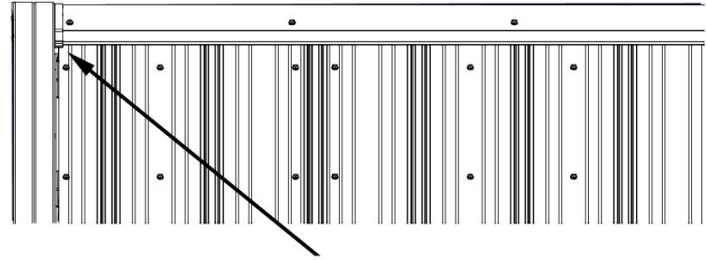
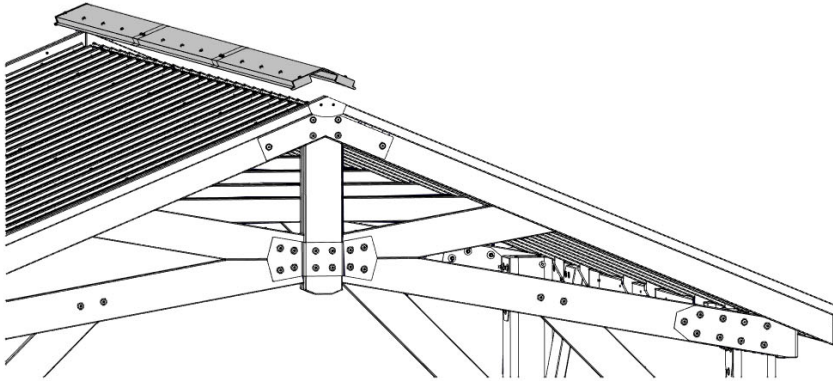
# STEP 47 - ROOF ASSEMBLY

QTY	PART NUMBER	DESCRIPTION
26	H100392	SCREW PWH 8 X 3/4 BLK



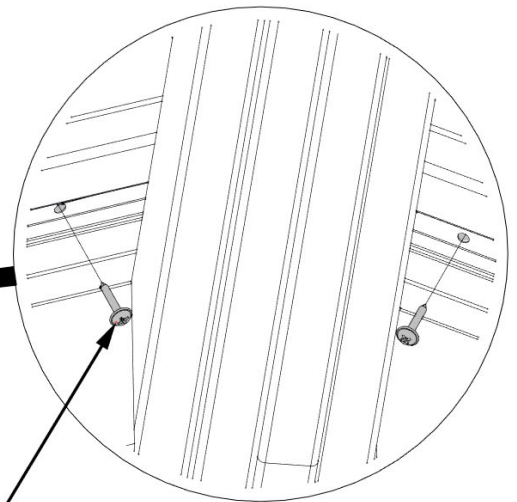
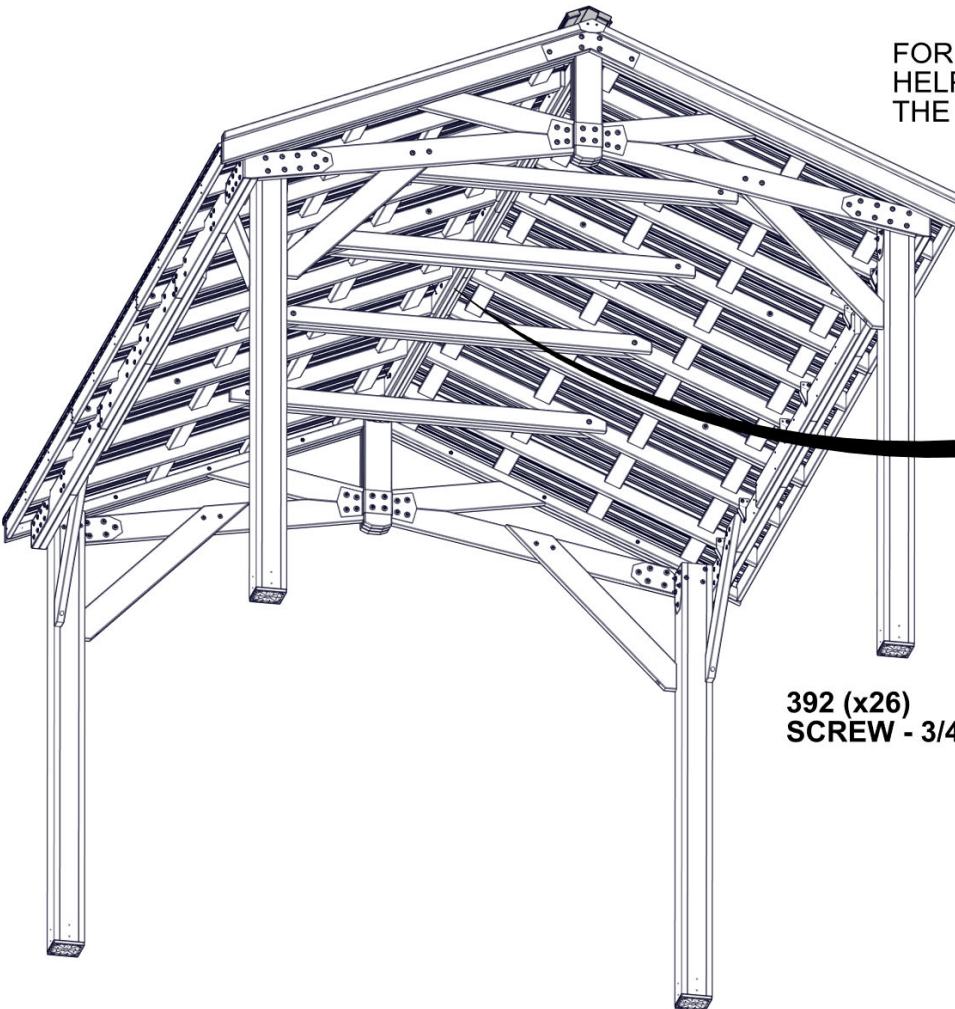
RIDGE CAP ASSEMBLY FROM PREVIOUS STEP

**DO NOT CLIMB ON ROOF TO INSTALL:  
ROOF CAP HAS BEEN DESIGNED TO  
INSTALL WITH THE USE OF A LADDER.**



**USING AN ADULT HELPER, SLIDE RIDGE CAP ASSEMBLY ACROSS THE ROOF RIDGE UNTIL BOTH ENDS SIT INSIDE RAFTERS AS SHOWN.**

**FOR PROPER INSTALLATION, USE AN ADULT HELPER TO KEEP DOWNWARD PRESSURE ON THE RIDGE CAP WHILE SCREWING IN SCREWS.**

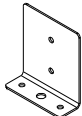


**392 (x26)  
SCREW - 3/4"**

**INSTALL SCREWS THROUGH PILOT HOLES IN ROOF PANELS INTO RIDGE CAP STIFFENER BOARDS.**

# STEP 48 - GAZEBO ASSEMBLY

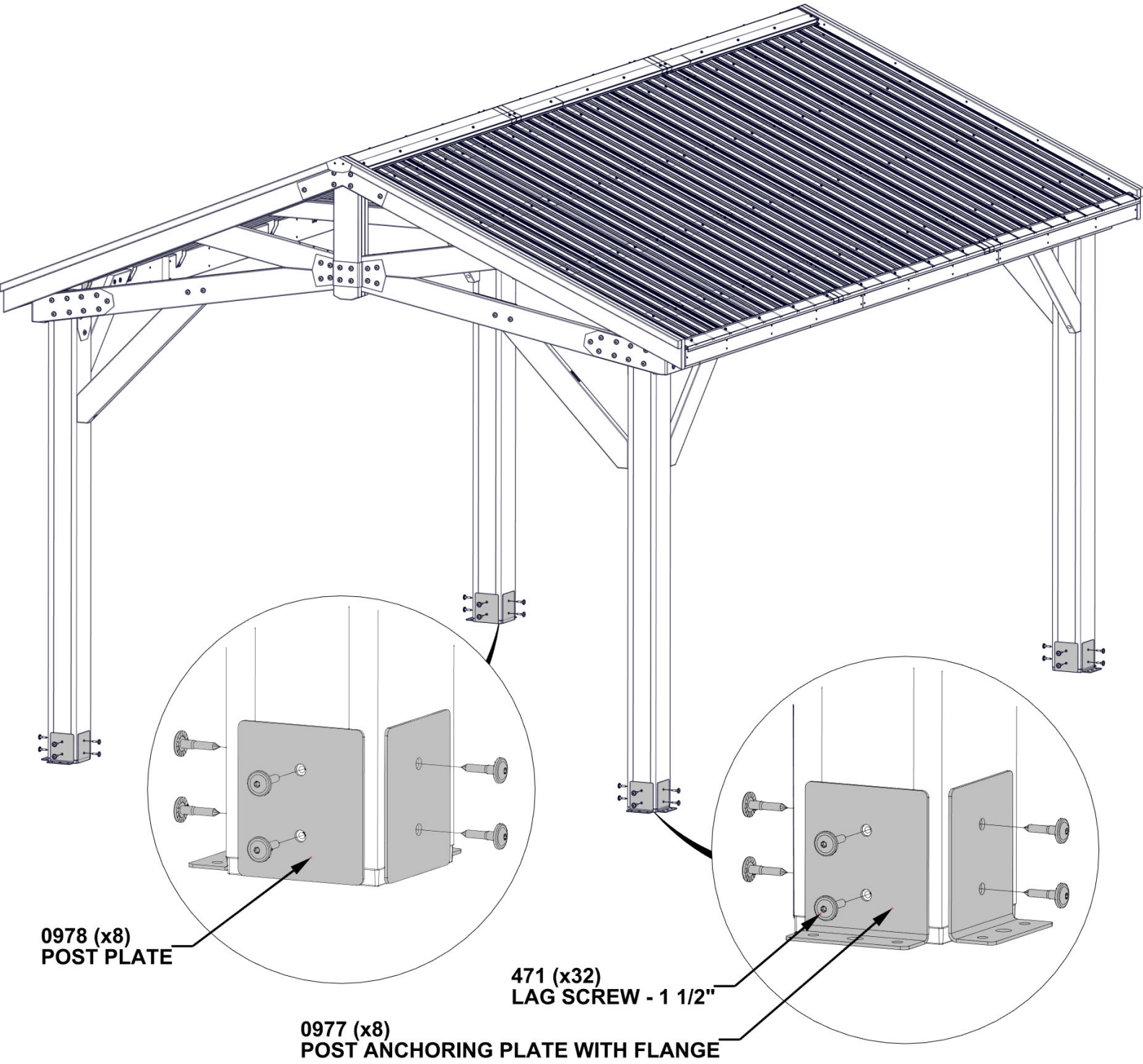
QTY	PART NUMBER	DESCRIPTION
32	H100471	LAG SCREW WH 5/16 X 1 1/2 BLK



**A4M00977** | **POST ANCHORING PLATE**  
(x8)



**A4M00978** | **POST PLATE**  
(x8)

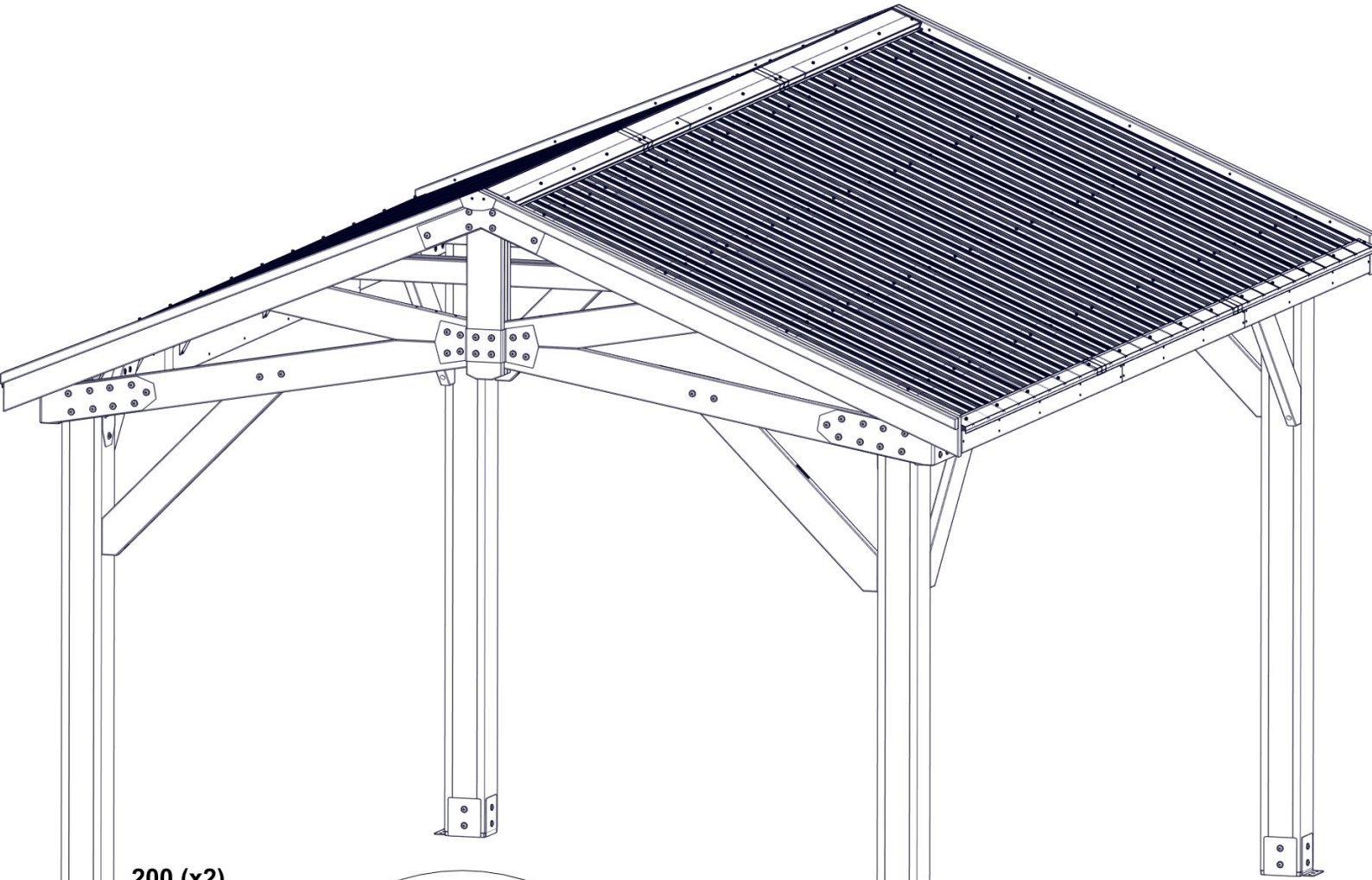


# STEP 49 - GAZEBO ASSEMBLY

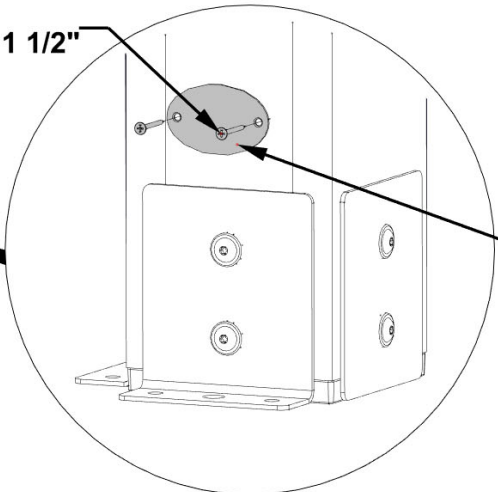
QTY	PART NUMBER	DESCRIPTION
2	H100200	SCREW PFH 8 X 1 1/2 BLK



**A100241** | **BYD ID TAG**  
*(x1)* | **(SMALL)**  
**WITHOUT AGES**



**200 (x2)**  
**SCREW - 1 1/2"**



**241 (x1)**  
**BYD ID TAG (SMALL) WITHOUT AGES**

# STEP 50 - GAZEBO ASSEMBLY

QTY	PART NUMBER	DESCRIPTION
16	H100120	CONCRETE ANCHOR
16	H100630	WASHER FLAT 8x19 BLK

**MANUFACTURER RECOMMENDS INSTALLATION ON CONCRETE SURFACE OR CONCRETE POST PAD AS SHOWN BELOW.**

**FOR INSTALLATION ON WOOD DECK, YOU MUST ENSURE THERE IS AMPLE STRUCTURAL SUPPORT UNDER THE DECK. HARDWARE NOT INCLUDED FOR DECK ATTACHMENT.**

